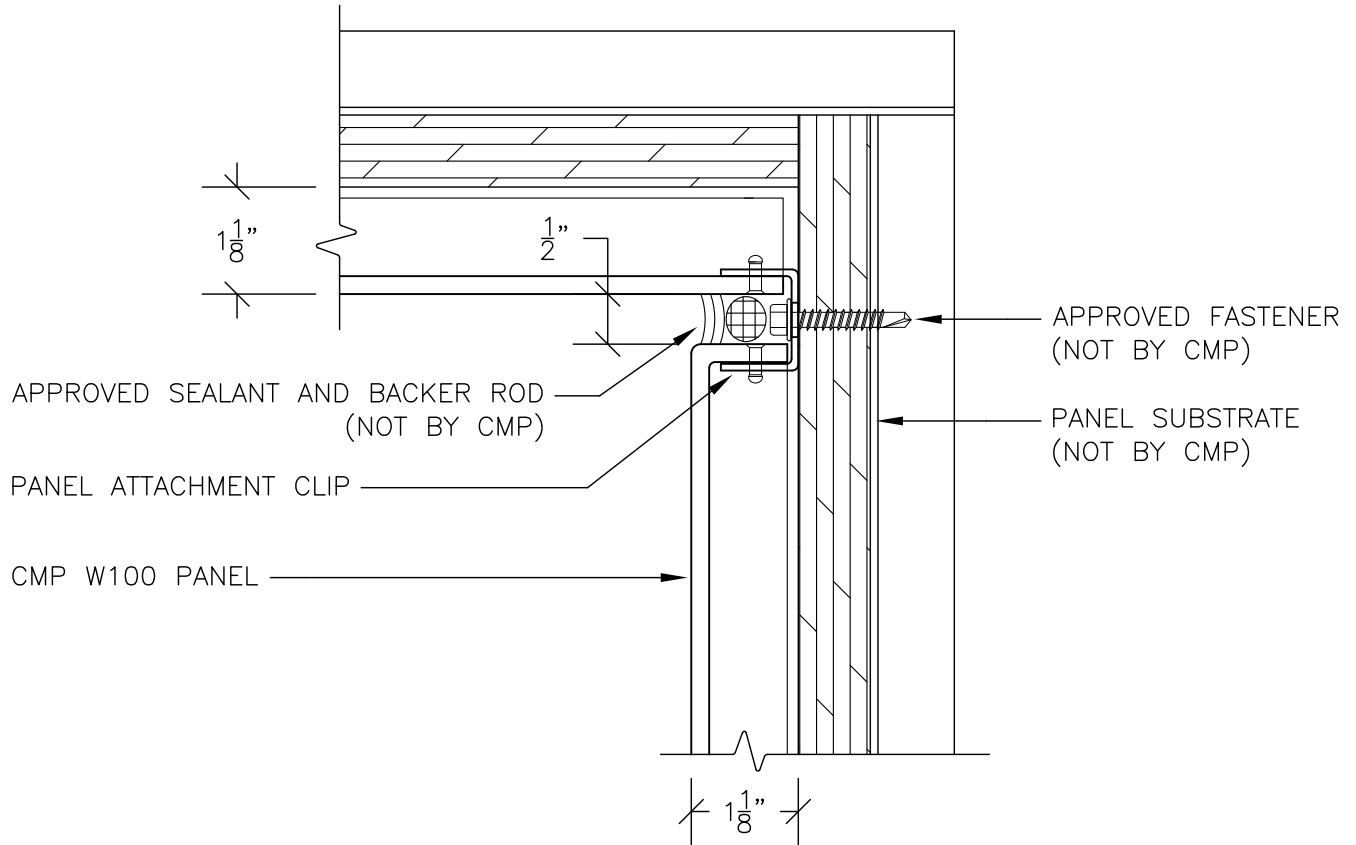


C-100 WET JOINT SYSTEM



CASTLE METAL PRODUCTS

450 CROSSEN AVENUE
ELK GROVE VILLAGE, IL 60007

PHONE: (847) 406-4540
FAX: (847) 406-4541
www.castlemetalproducts.com

INSIDE CORNER DETAIL PLAN VIEW

Scale: 6"=1'-0"

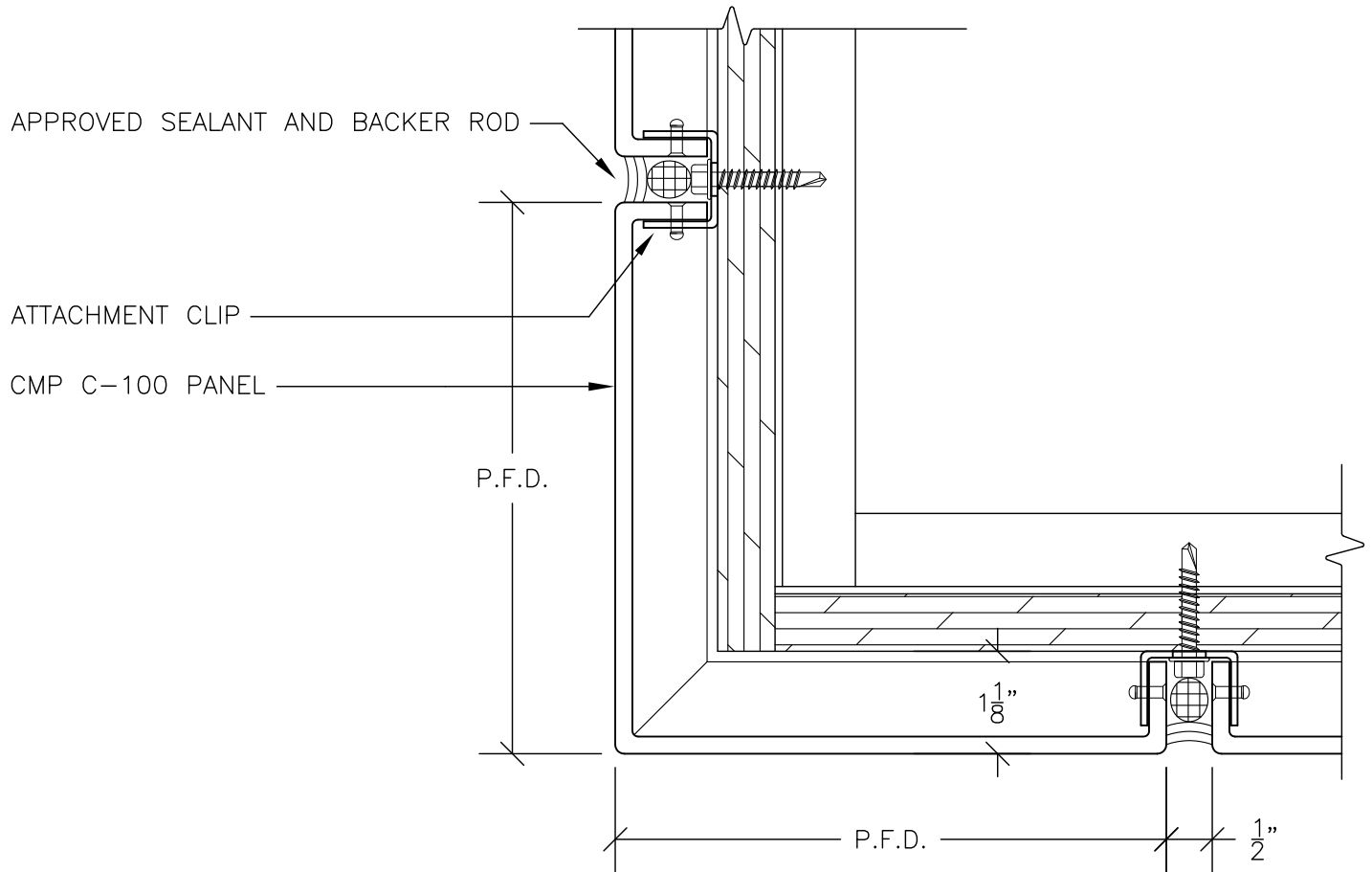
Drawn by:

Date:

Drawing No.

C-100-01

C-100 WET JOINT SYSTEM



CASTLE METAL PRODUCTS

450 CROSSEN AVENUE
ELK GROVE VILLAGE, IL 60007

PHONE: (847) 406-4540
FAX: (847) 406-4541
www.castlemetalproducts.com

OUTSIDE CORNER DETAIL PLAN VIEW

Scale: 6"=1'-0"

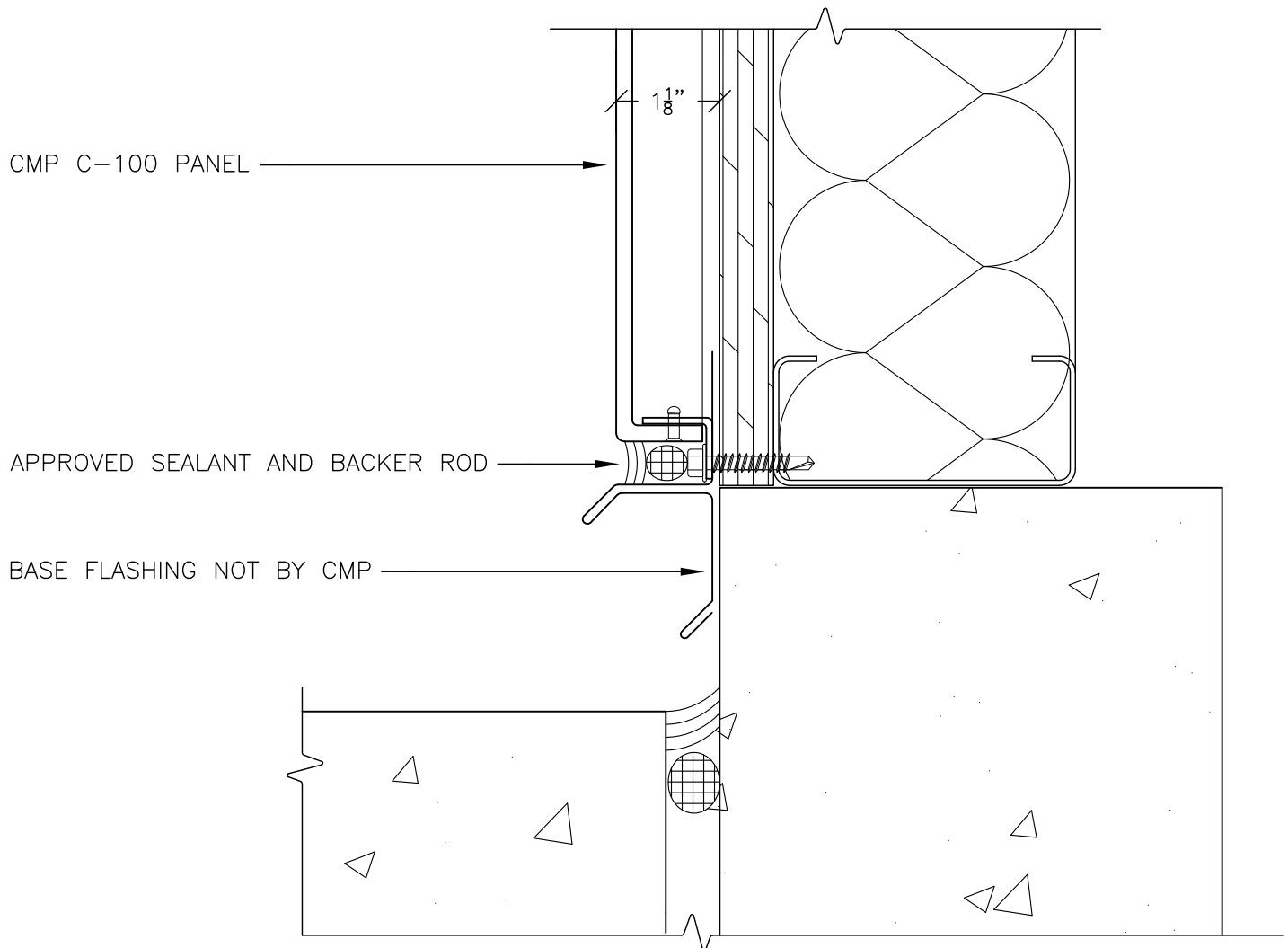
Drawn by:

Date:

Drawing No.

C-100-02

C-100 WET JOINT SYSTEM



CASTLE METAL PRODUCTS

450 CROSSEN AVENUE
ELK GROVE VILLAGE, IL 60007

PHONE: (847) 406-4540

FAX: (847) 406-4541

www.castlemetalproducts.com

PANEL BASE AT FOUNDATION

Scale: 6"=1'-0"

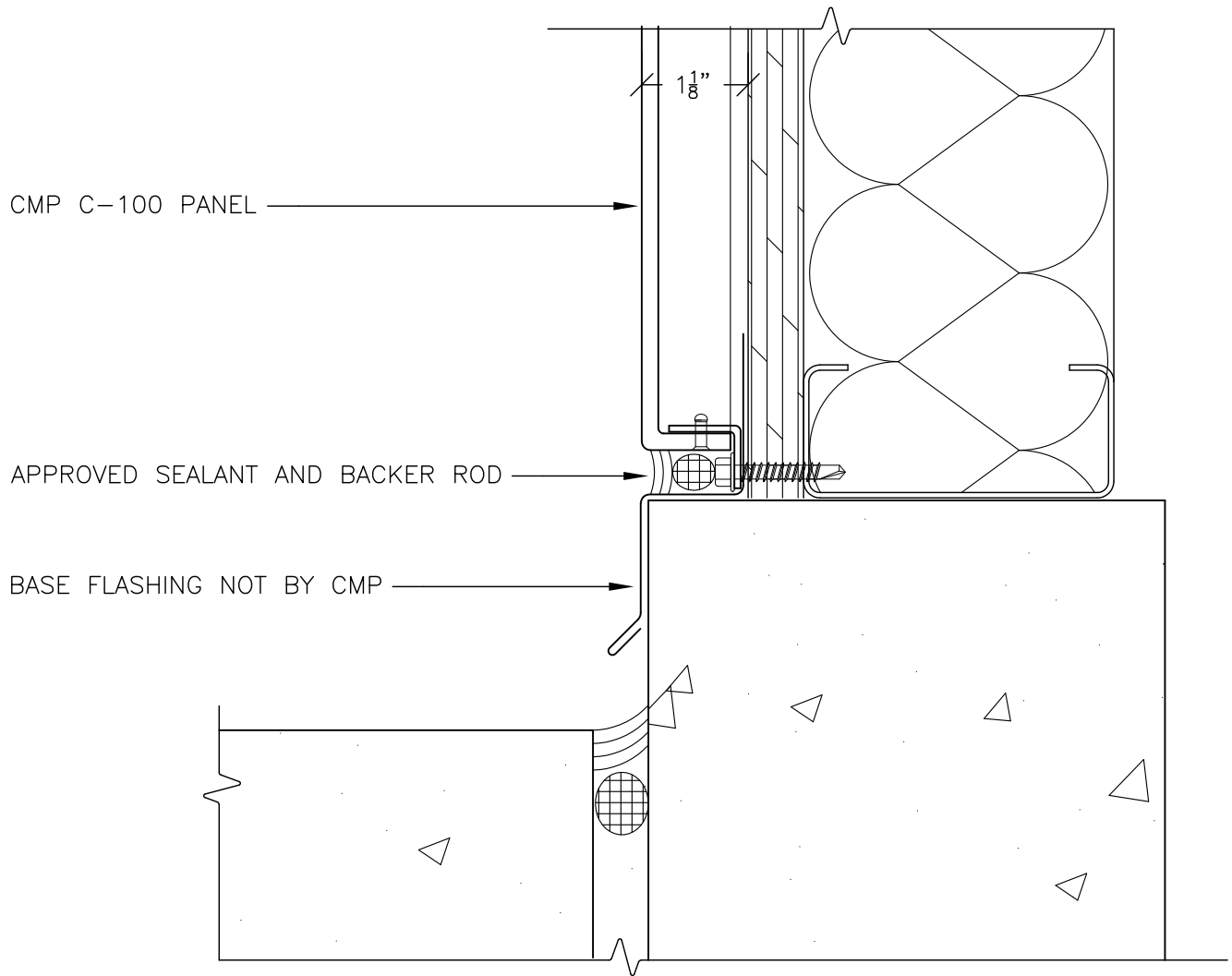
Drawn by:

Date:

Drawing No.

C-100-03

C-100 WET JOINT SYSTEM



CASTLE METAL PRODUCTS

450 CROSSEN AVENUE
ELK GROVE VILLAGE, IL 60007

PHONE: (847) 406-4540
FAX: (847) 406-4541
www.castlemetalproducts.com

PANEL BASE AT FOUNDATION (FLUSH)

Scale: 6"=1'-0"

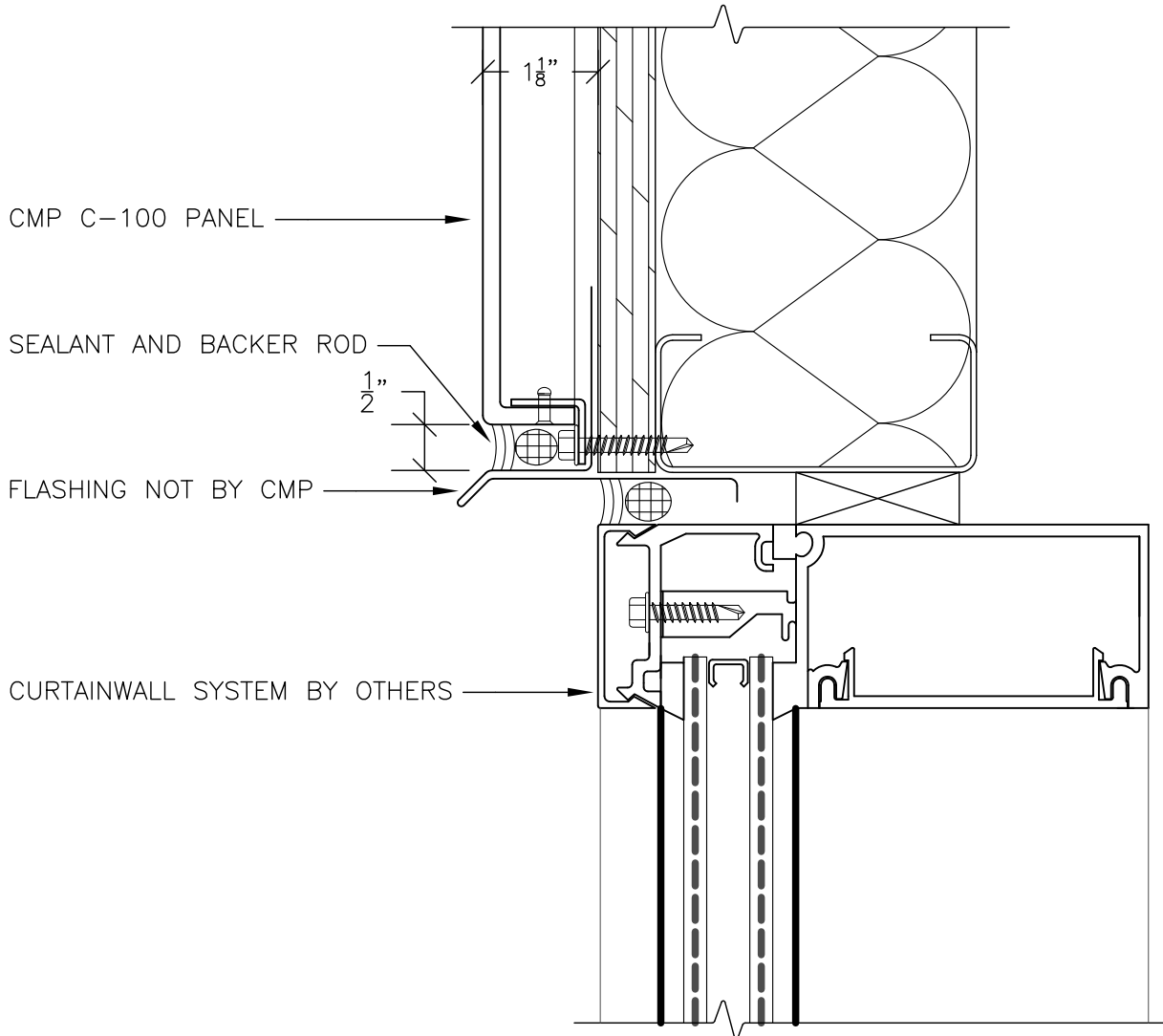
Drawn by:

Date:

Drawing No.

C-100-04

C-100 WET JOINT SYSTEM



CASTLE METAL PRODUCTS

450 CROSSEN AVENUE
ELK GROVE VILLAGE, IL 60007

PHONE: (847) 406-4540
FAX: (847) 406-4541
www.castlemetalproducts.com

CURTAINWALL/WINDOW HEAD DETAIL

Scale: 6"=1'-0"

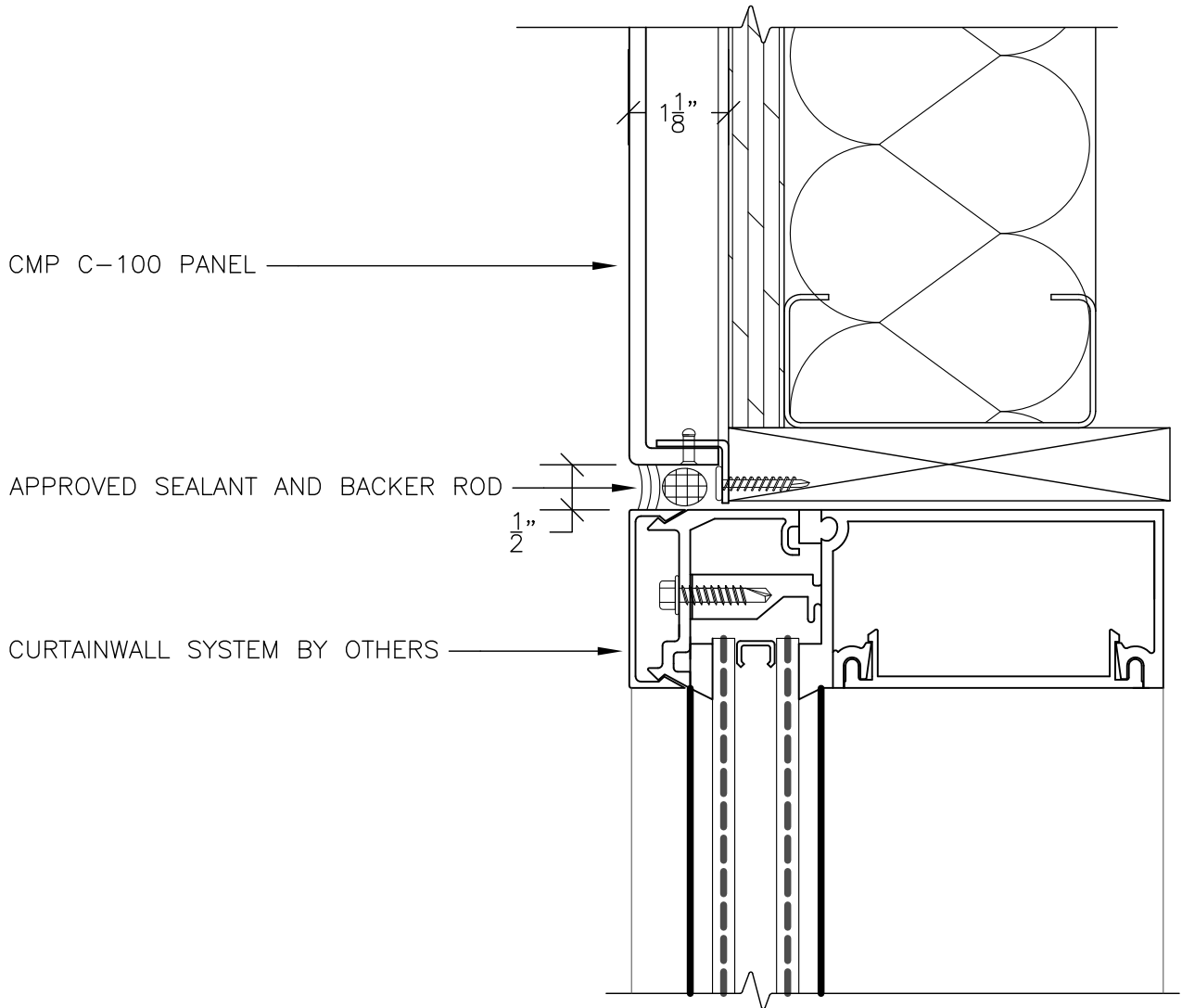
Drawn by:

Date:

Drawing No.

C-100-05

C-100 WET JOINT SYSTEM



CASTLE METAL PRODUCTS

450 CROSSEN AVENUE
ELK GROVE VILLAGE, IL 60007

PHONE: (847) 406-4540

FAX: (847) 406-4541

www.castlemetalproducts.com

CURTAINWALL/WINDOW HEAD DETAIL (FLUSH)

Scale: 6"=1'-0"

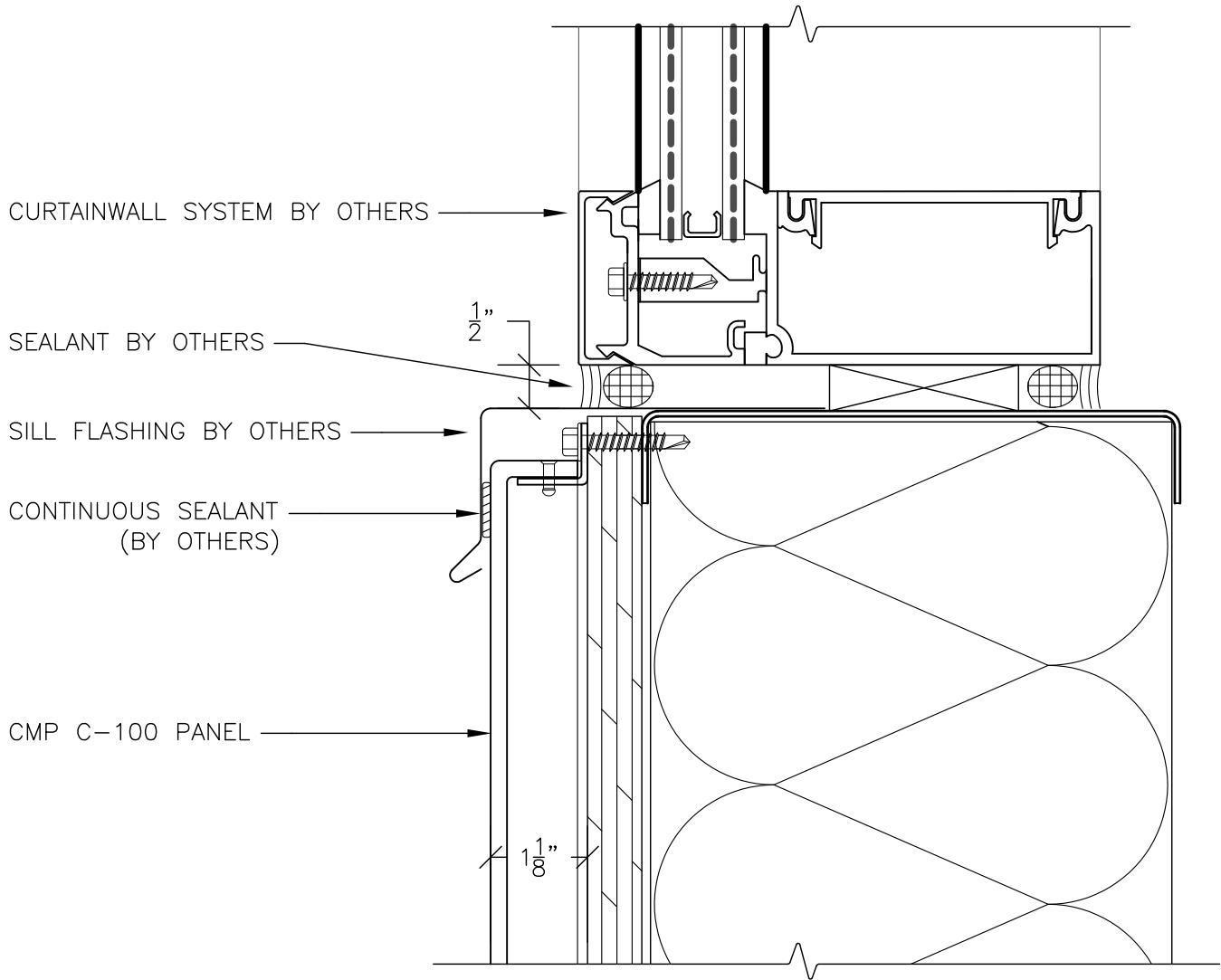
Drawn by:

Date:

Drawing No.

C-100-06

C-100 WET JOINT SYSTEM



CASTLE METAL PRODUCTS

450 CROSSEN AVENUE
ELK GROVE VILLAGE, IL 60007

PHONE: (847) 406-4540

FAX: (847) 406-4541

www.castlemetalproducts.com

CURTAINWALL/WINDOW SILL DETAIL

Scale: 6"=1'-0"

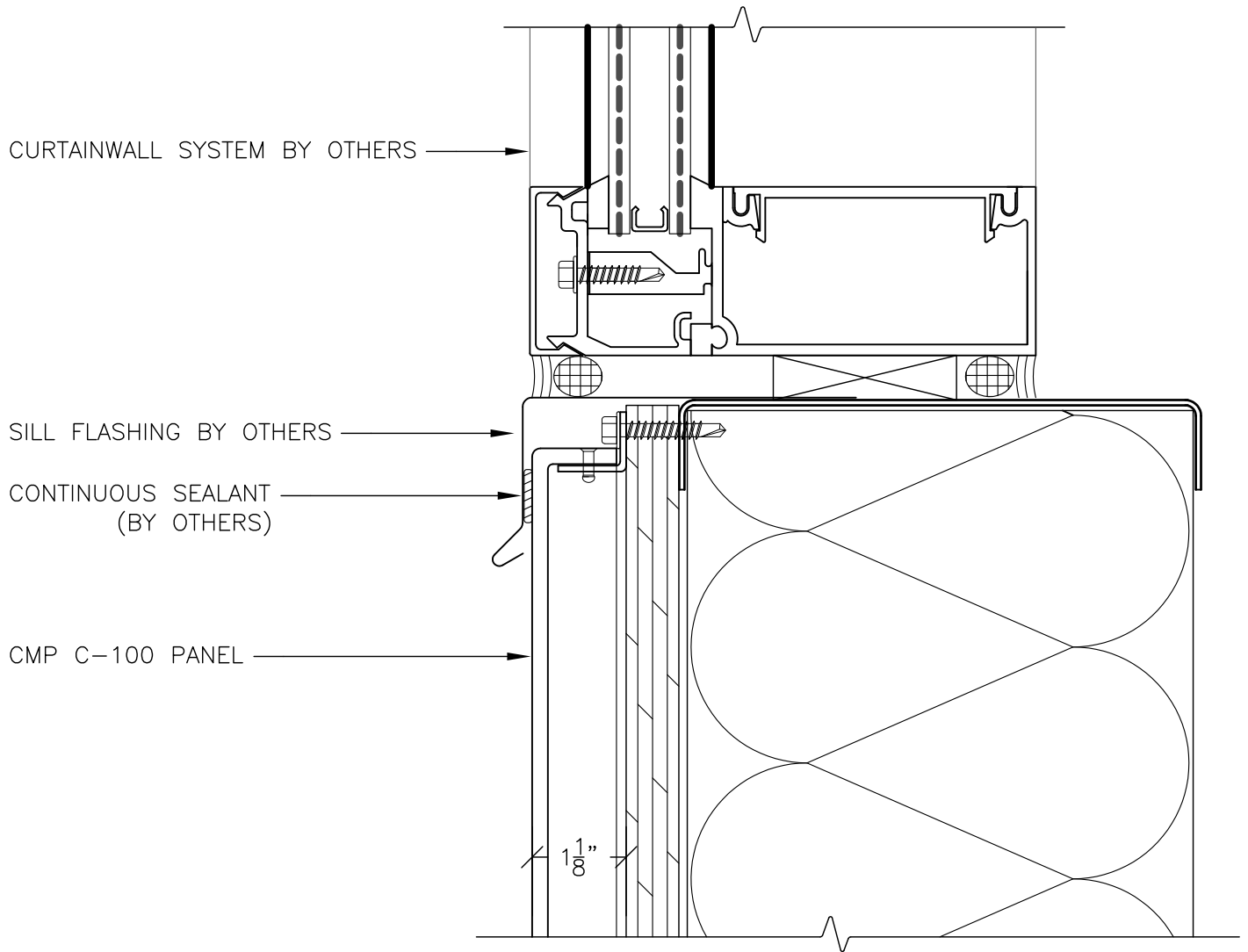
Drawn by:

Date:

Drawing No.

C-100-07

C-100 WET JOINT SYSTEM



CASTLE METAL PRODUCTS

450 CROSSEN AVENUE
ELK GROVE VILLAGE, IL 60007

PHONE: (847) 406-4540
FAX: (847) 406-4541
www.castlemetalproducts.com

CURTAINWALL/WINDOW SILL DETAIL (FLUSH)

Scale: 6"=1'-0"

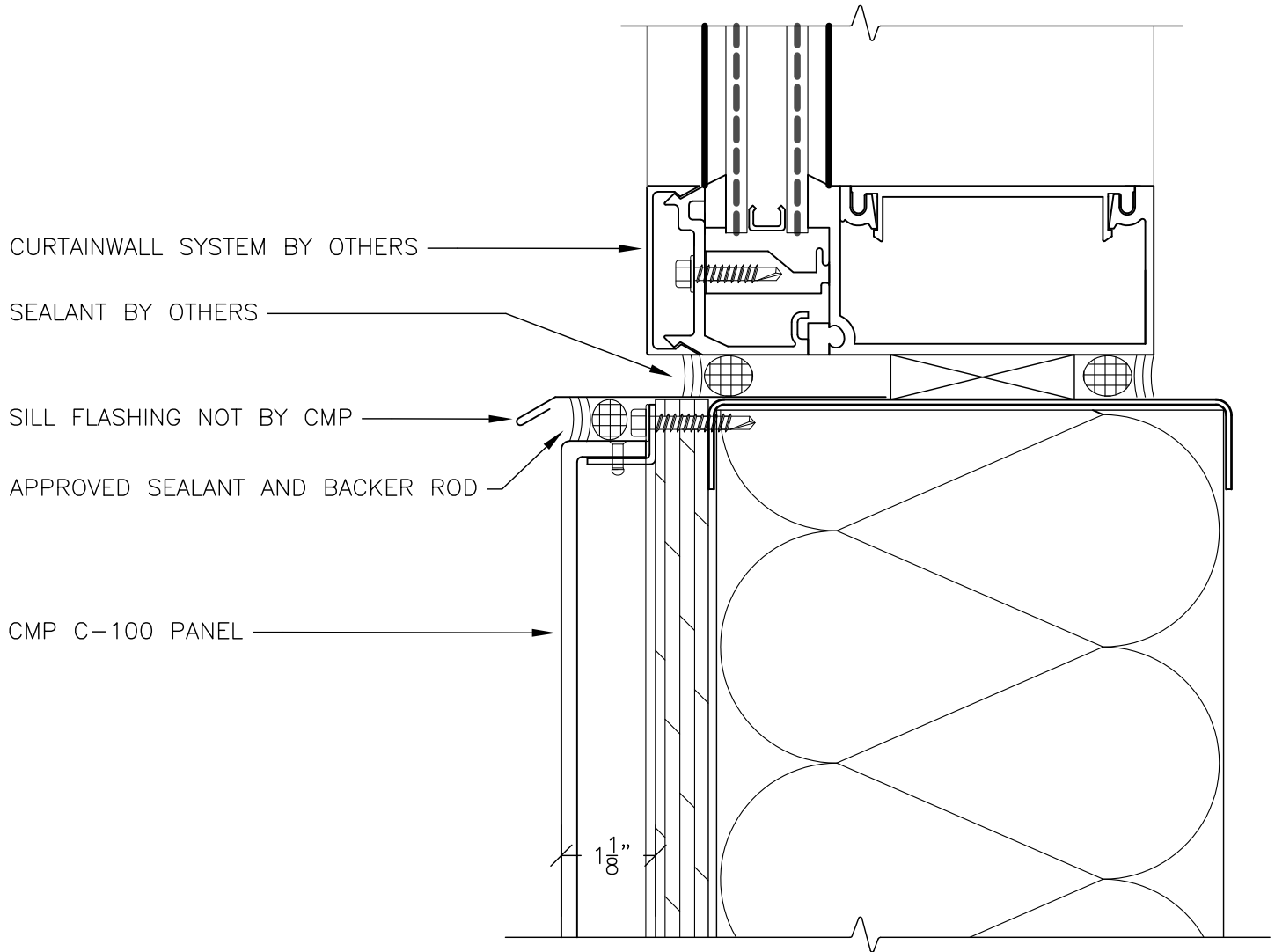
Drawn by:

Date:

Drawing No.

C-100-08

C-100 WET JOINT SYSTEM



CASTLE METAL PRODUCTS

450 CROSSEN AVENUE
ELK GROVE VILLAGE, IL 60007

PHONE: (847) 406-4540

FAX: (847) 406-4541

www.castlemetalproducts.com

CURTAINWALL/WINDOW SILL ALTERNATE DETAIL

Scale: 6"=1'-0"

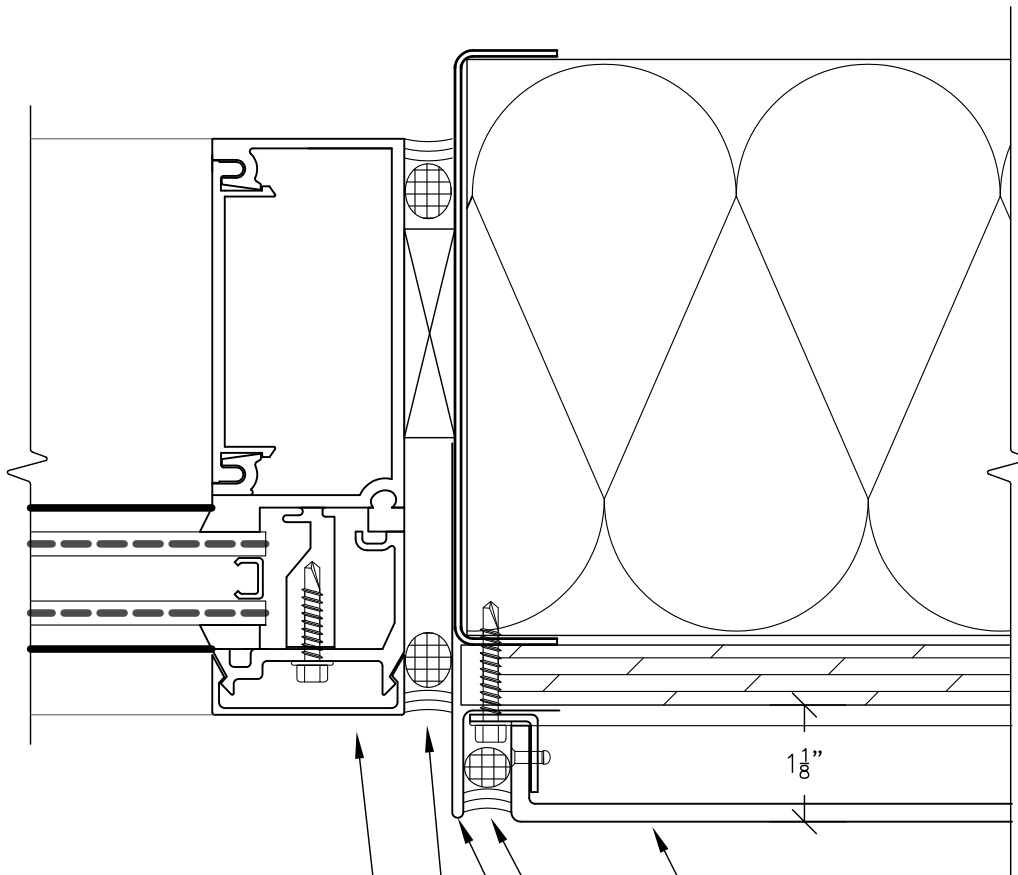
Drawn by:

Date:

Drawing No.

C-100-09

C-100 WET JOINT SYSTEM



CMP C-100 PANEL

APPROVED SEALANT AND BACKER ROD

FLASHING NOT BY CMP

SEALANT BY OTHER

CURTAINWALL SYSTEM BY OTHERS

CASTLE METAL PRODUCTS

450 CROSSEN AVENUE
ELK GROVE VILLAGE, IL 60007

PHONE: (847) 406-4540

FAX: (847) 406-4541

www.castlemetalproducts.com

CURTAINWALL/WINDOW JAMB DETAIL

Scale: 6"=1'-0"

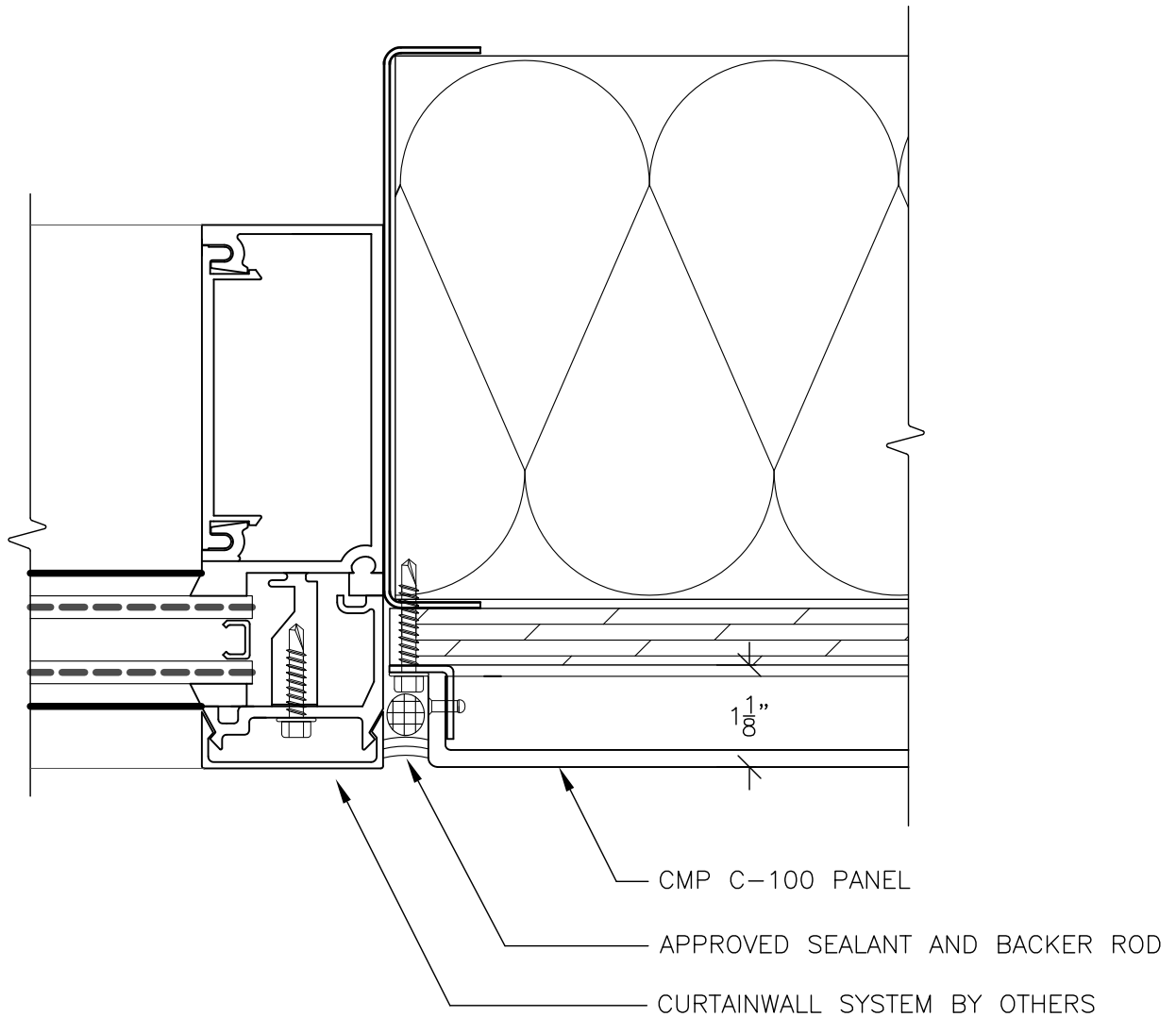
Drawn by:

Date:

Drawing No.

C-100-10

C-100 WET JOINT SYSTEM



CASTLE METAL PRODUCTS

450 CROSSEN AVENUE
ELK GROVE VILLAGE, IL 60007

PHONE: (847) 406-4540
FAX: (847) 406-4541
www.castlemetalproducts.com

CURTAINWALL/WINDOW JAMB DETAIL (FLUSH)

Scale: 6"=1'-0"

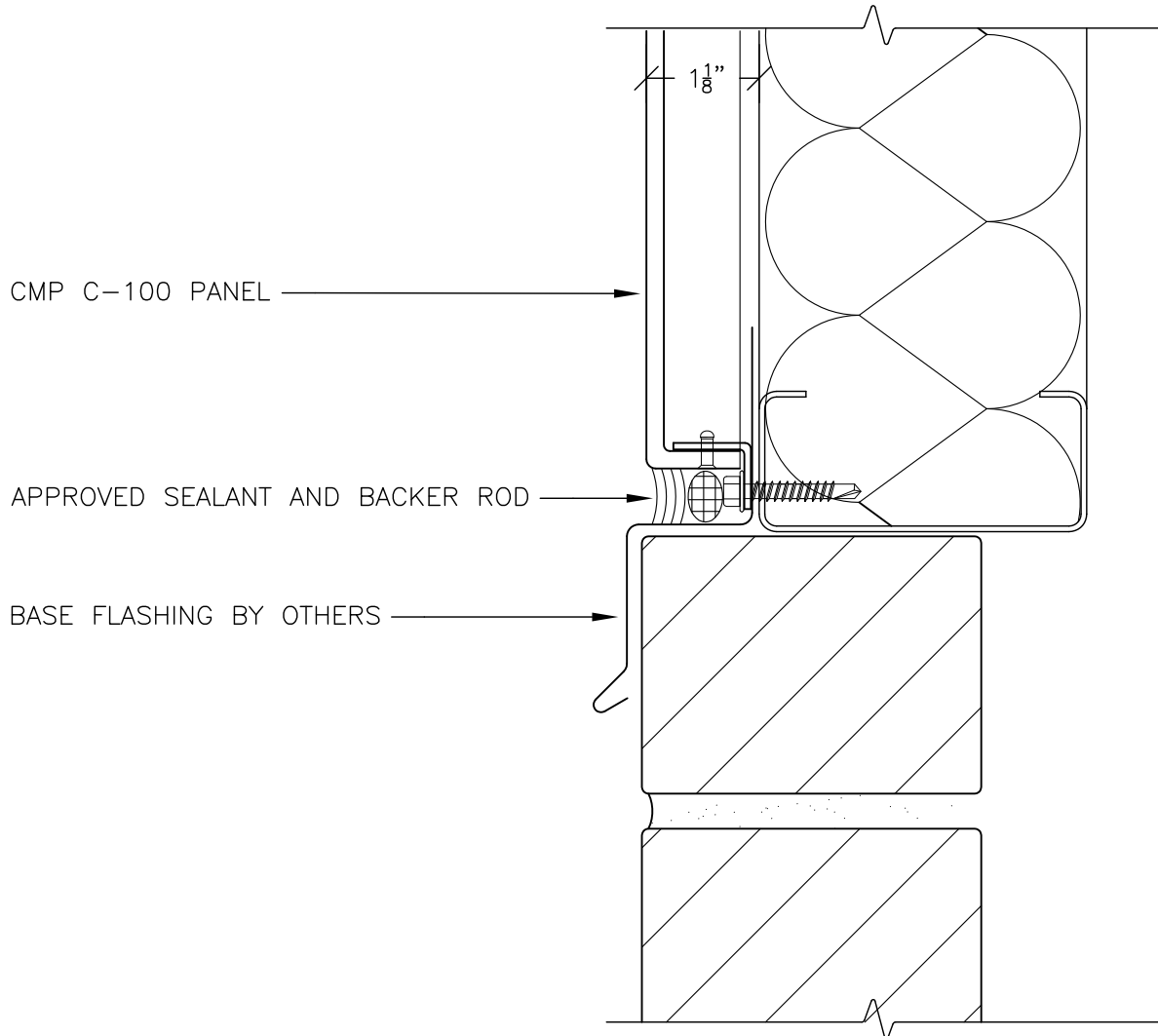
Drawn by:

Date:

Drawing No.

C-100-11

C-100 WET JOINT SYSTEM



CASTLE METAL PRODUCTS

450 CROSSEN AVENUE
ELK GROVE VILLAGE, IL 60007

PHONE: (847) 406-4540

FAX: (847) 406-4541

www.castlemetalproducts.com

PANEL BASE AT MASONRY

Scale: 6"=1'-0"

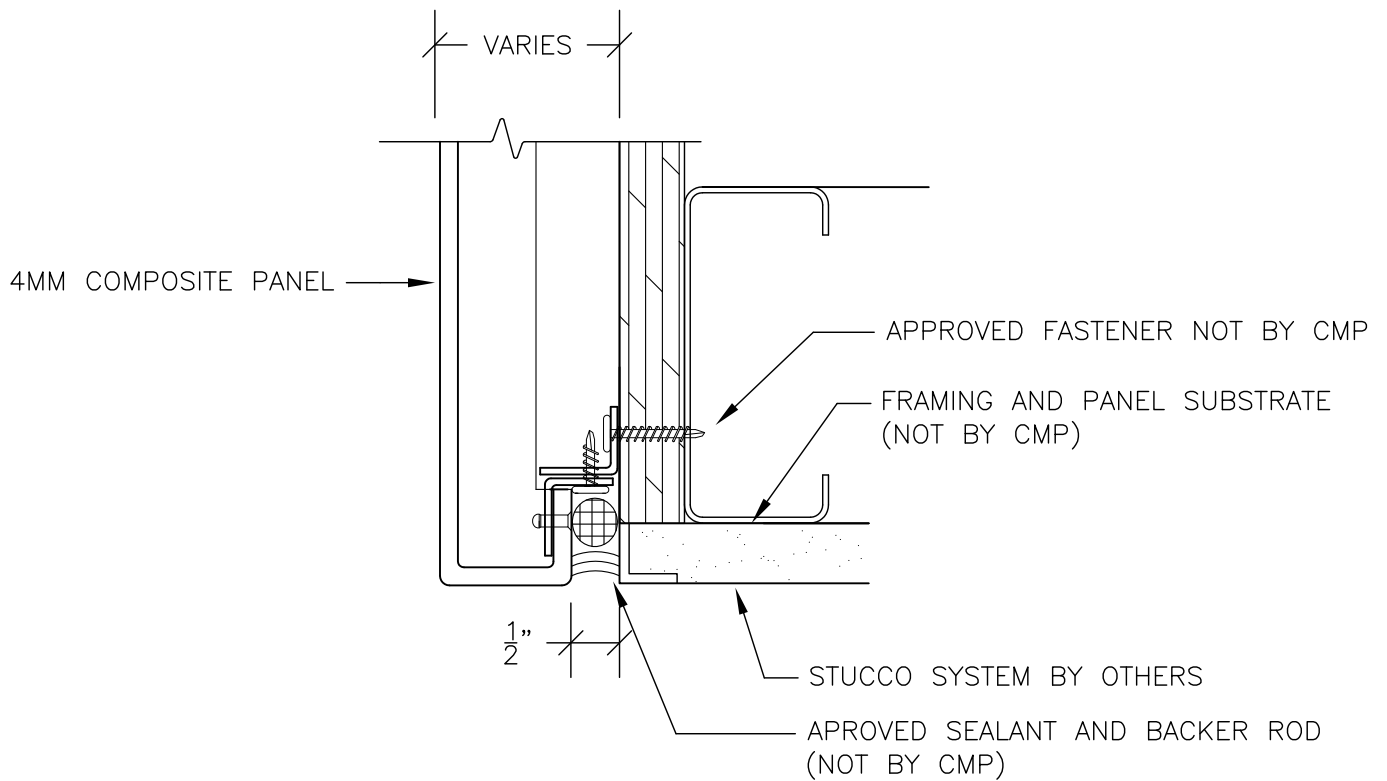
Drawn by:

Date:

Drawing No.

C-100-12

C-100 WET JOINT SYSTEM



CASTLE METAL PRODUCTS

450 CROSSEN AVENUE
ELK GROVE VILLAGE, IL 60007

PHONE: (847) 406-4540
FAX: (847) 406-4541
www.castlemetalproducts.com

PANEL RETURN AT STUCCO

Scale: 6"=1'-0"

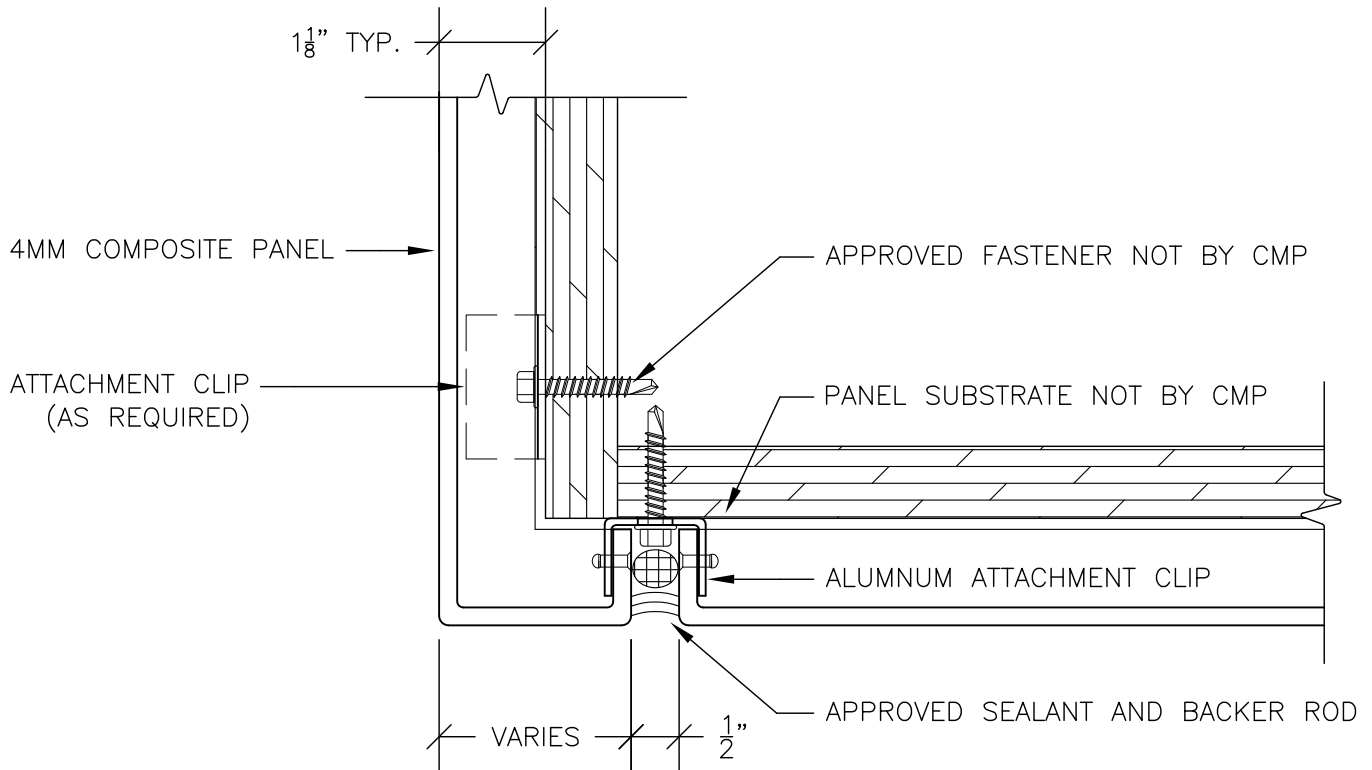
Drawn by:

Date:

Drawing No.

C-100-13

C-100 WET JOINT SYSTEM



CASTLE METAL PRODUCTS

450 CROSSEN AVENUE
ELK GROVE VILLAGE, IL 60007

PHONE: (847) 406-4540
FAX: (847) 406-4541
www.castlemetalproducts.com

PANEL RETURN AT SOFFIT

Scale: 6"=1'-0"

Drawn by:

Date:

Drawing No.

C-100-14