



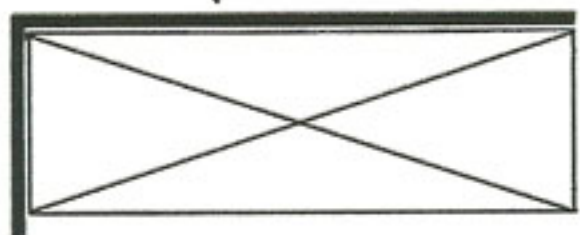
CASTLE METAL PRODUCTS

Weather-Loc GA Series Fascia System
Installation Guide

Page 1

STEP 1

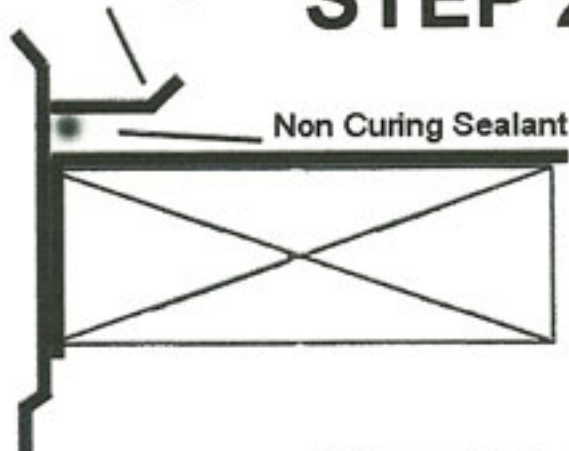
Membrane



STEP 2

Extruded Anchoring Rail

Non Curing Sealant

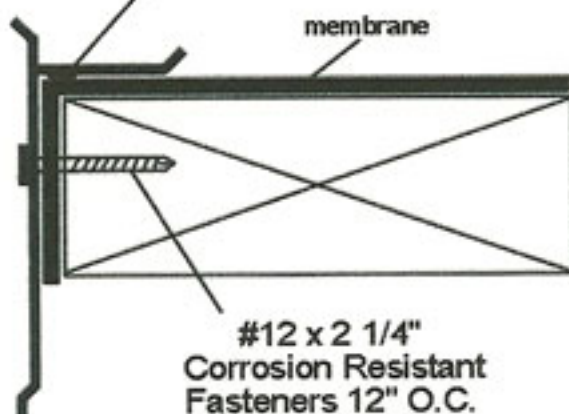


STEP 3

Non Curing Sealant

membrane

#12 x 2 1/4"
Corrosion Resistant
Fasteners 12" O.C.



1. Roof Membrane
Install membrane so the wood nailer or nailer's are covered completely. Note: Make sure wood nailer is installed properly before covering with the membrane.

2. Sealant
Install a thick 1/2" bead of sealant on the under-side of the extruded rail as shown in detail 2.

3. You are now ready to install extruded rail. Using the # 12 x 2-1/4" screws provided, Tightly place the Extruded Rail to the membrane covered wood. Screw the fastener in the Pre- Punched 12" O.C. hole. Do not over tighten fasteners

Castle Metal Products
450 Crossen Ave.
Elk Grove Village, IL 60007
Phone: 1-847-806-4540
Fax: 1-847-806-4541
E-Mail castlemetal@msn.com

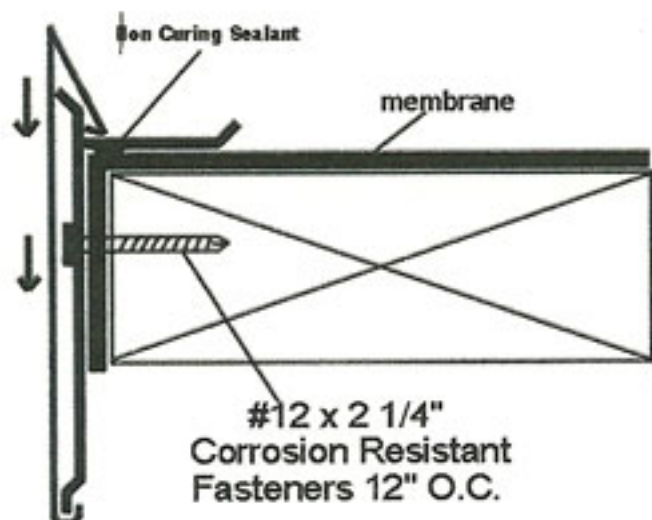


CASTLE METAL PRODUCTS

Weather-Loc GA Series Fascia System
Installation Guide

Page 2

STEP 4



4. After you have installed the miters and miscellaneous parts of the extruded rail you are now ready to install the covers. Placing the 12'-0" fascia cover over the extruded rail applying downward pressure until the fascia cover is engaged at the bottom of the rail. Make sure the cover is engaged the full 12'-0" length of the rail.

Castle Metal Products
450 Crossen Ave.
Elk Grove Village, IL 60007
Phone: 1-847-806-4540
Fax: 1-847-806-4541
E-Mail castlemetal@msn.com