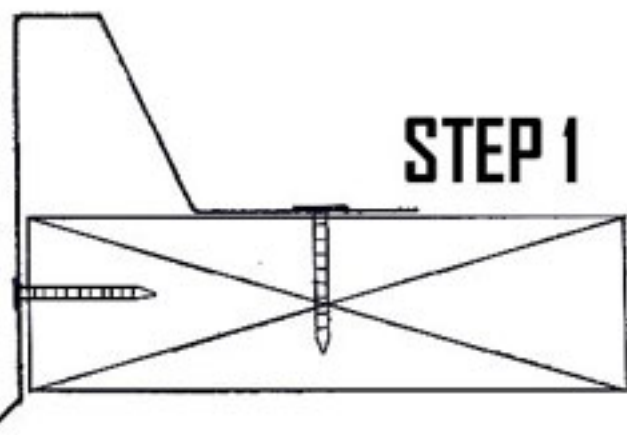




# CASTLE METAL PRODUCTS

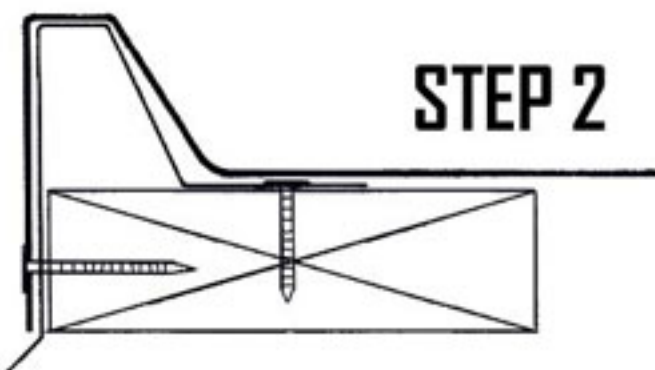
## PRESSURE-LOC INSTALLATION GUIDE

### STEP 1



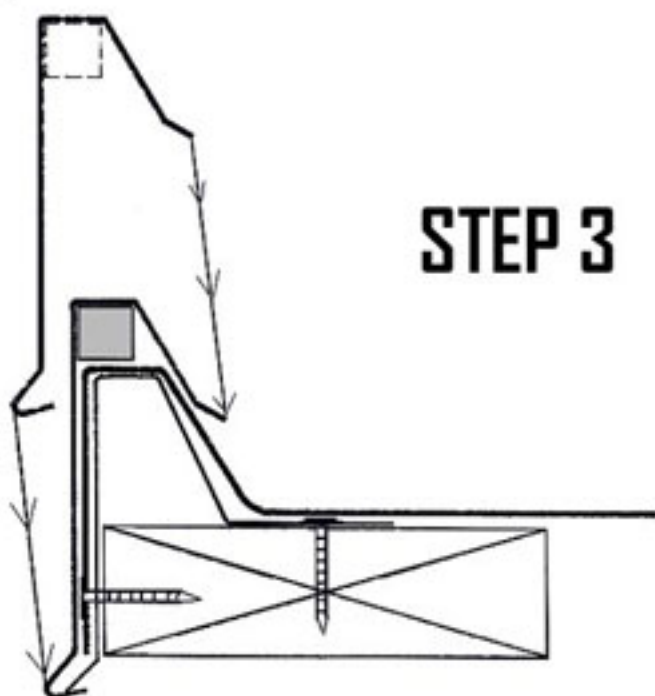
NAIL A CONTINUOUS GALVANIZED CANT DAM TO AN APPROVED NAILER BY USING A 1 1/4 GALVANIZED NAIL. NAILS SHOULD BE 12" ON CENTER AND THERE SHOULD BE A 3/16 GAP BETWEEN THE CANT DAM FOR EXPANSION.

### STEP 2



LAY ROOFING MEMBRANE OVER THE CANT DAM SO THAT THE MEMBRANE IS AT LEAST 3" OVER FACE OF THE CANT DAM

### STEP 3



APPLY NEOPRENE COMPRESSION STRIP TO INSIDE OF GRAVEL STOP/FASCIA AS SHOWN. PUSH GRAVEL STOP/FASCIA DOWN ONTO CANT DAM/CLEAT COMPRESSING NEOPRENE UNTIL THE RETURN HEM ON THE GRAVEL STOP ENGAGES CANT DAM/CLEAT & RELEASE THE 6" SPLICE PLATE SHOULD BE INSTALLED AT THIS TIME.

Castle Metal Products  
906 Estes Court  
Schaumburg, IL 60193  
Phone: 1-847-806-4540  
Fax: 1-847-806-4541  
E-Mail [castlemetal@msn.com](mailto:castlemetal@msn.com)