



## Series 300 Molding System

### Installation of the Series 300 Molding System

#### Pre-Install

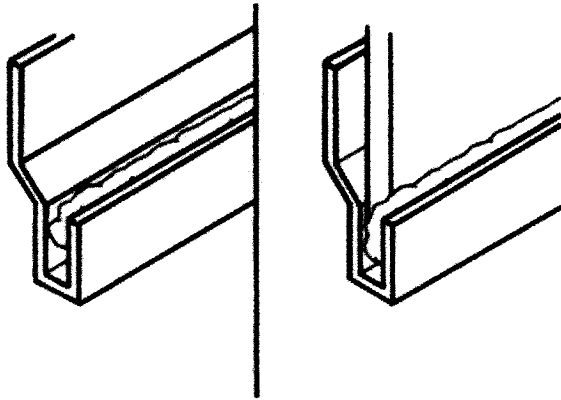
1. Understanding the system to be installed; Once you receive the shop drawings you will be able to determine where you will first start and which extruded shapes will be used thus determining the ease of completion and proper install.
2. Delivery, receiving and inventorying your material once it arrives is important. You should check to see if the material is in good condition, free from any defects and clean and dry. You must note this on the shipping paperwork before receiving this material. This will allow a freight claim to be made.
3. Storing your material during and through the project will determine by how well your project will be completed. Proper storage will be the key to the process and ensure a timely completion as well as protection from other trades.

#### Inventory

4. Once you have opened the crates, make sure all of the paneling material and moldings are accounted for. Notify CMP immediately with any discrepancies of the shipment to ensure corrective action is taken.

#### Install

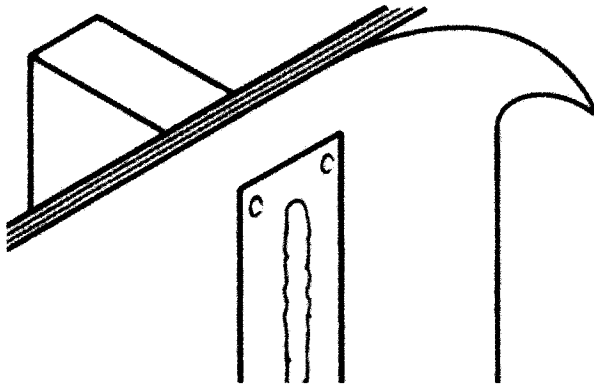
5. After you have determined where you will start and which extrusion will be used first, you will install the extrusion using the proper screws, this will depend on the substraight you will be going into. You will now apply the sealant in the extrusion shown in the illustration below. After installation of the molding, all joints must be sealed against moisture. When done properly the excess sealant will squeeze from the joint. The excess will be removed later.



Apply Sealant liberally

Proper Fit

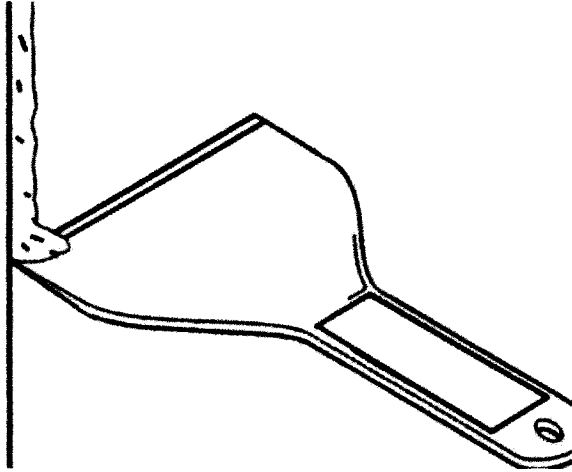
6. Some allowance is needed for proper expansion and contraction. This should be taken into consideration when cutting or mitering the extrusions. On larger panels, a sealant strip maybe needed to secure the field of the paneling shown below.



Sealant removal

7. When the sealant skins over, it is time to remove the excess. You will need a plastic tool so you do not harm the colored finish of the paneling.

2145 Estes Ave Elk Grove Village IL 60007



### Protective Vinyl Removal

7. Once the project is completed, the Vinyl must be removed from the painted finish. Failure to do so will result in a difficult removal of the vinyl and may leave a residue of the adhesive.

#### Notes:

#### Sealants

Wall adhesive #5000 Franklin Titebond®

#### Sealants

The entire system must be sealed to prevent moisture from getting in the system and voiding any panel warranties. #5002 Tremco® Spectrum 2®

#### Fasteners

Metal Wall Framing #S-1000 1" or #S-1580 1 5/8"

Wood Framing and plywood sheathing #S-1001 1 5/8"

2145 Estes Ave Elk Grove Village IL 60007