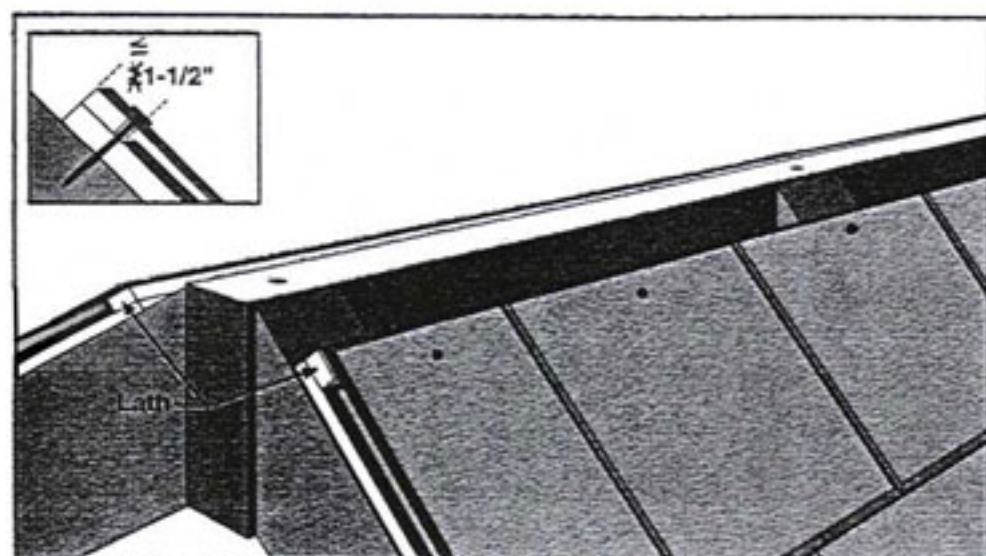


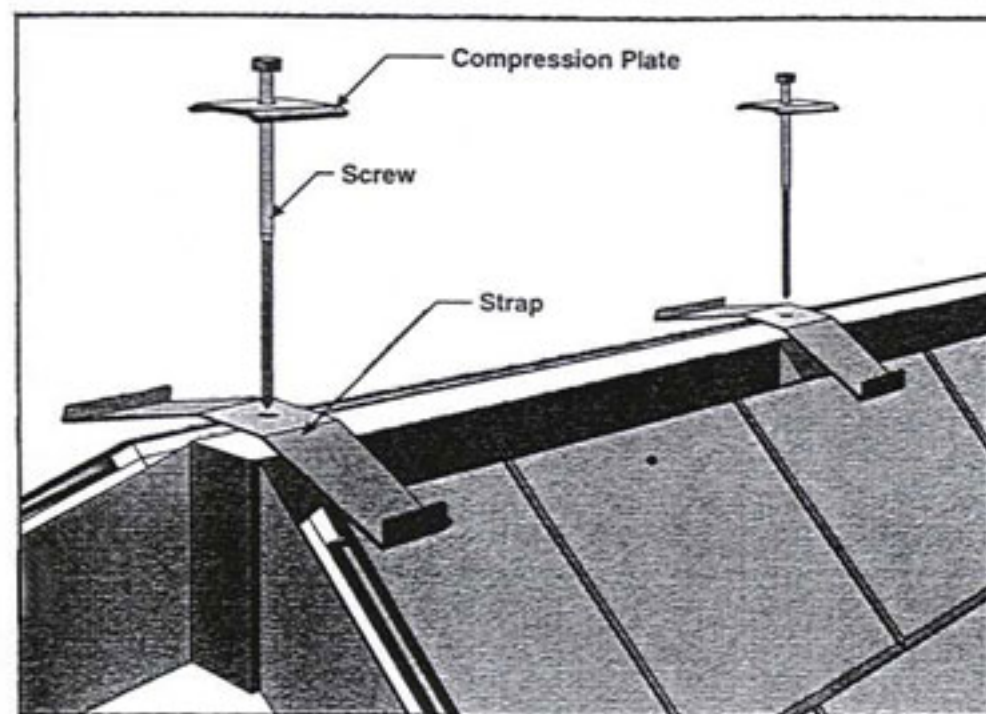
STEP 1—Prepare Roof Deck

- Provide a 3/4" gap between ridge pole (or truss peak) and the upper edge of the roof deck.
- Install felt in customary manner, stopping at deck's upper edge.
- At rafter spacings, drill 7/16" holes into ridge pole (or truss peaks).
HOLES MUST BE CENTERED AND VERTICAL.



STEP 2—Install Slates

- Complete slate installation in customary manner, observing headlaps and sidelaps.
- Trim slate length where necessary to allow slate to end neatly at roof deck's upper edge.
- Use lath where necessary to prevent slate "butt-ends" from lifting.
- Place upper edges of last two slate courses, and the nails used to secure the last course of slate, within 1-1/2" of the deck's upper edge. (Use aluminum or stainless nails -- not copper -- for the last course).



STEP 3—Install Fastening Assemblies

- Remove vinyl masking prior to installation.
- Assemble the screw, compression plate and strap as shown. Install this assembly loosely (approximately 1").

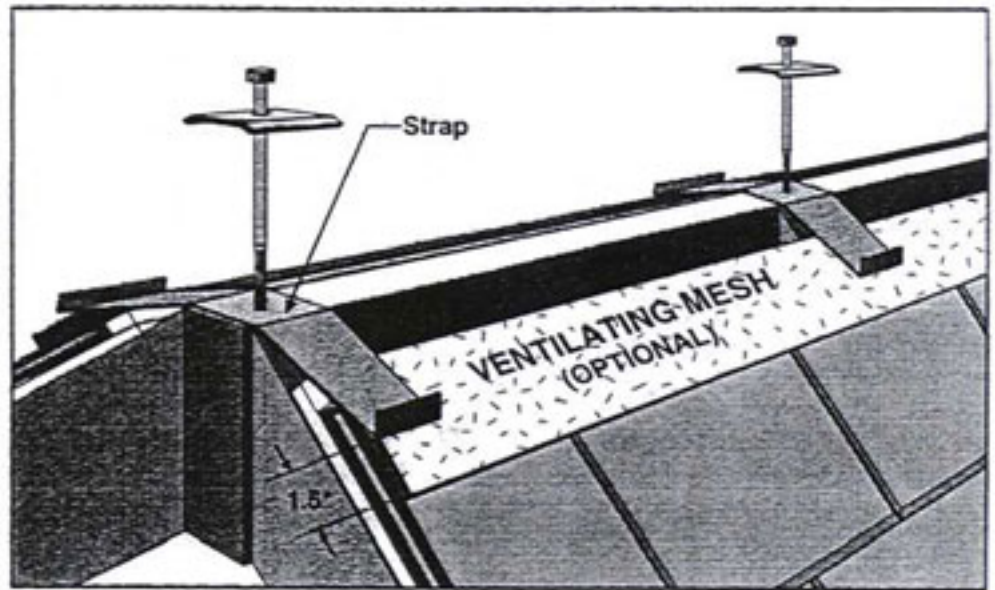
NOTE: INSTALL FIRST 10' SECTION (STEPS 3-6) TO INSURE PROPER FIT BEFORE PROCEEDING WITH APPLICATION. STRAP LENGTH MAY REQUIRE ADJUSTMENT.

STEP 4—Install Ventilating Mesh

Note: Remove vinyl masking prior to installation.

Follow manufacturer's guidelines.

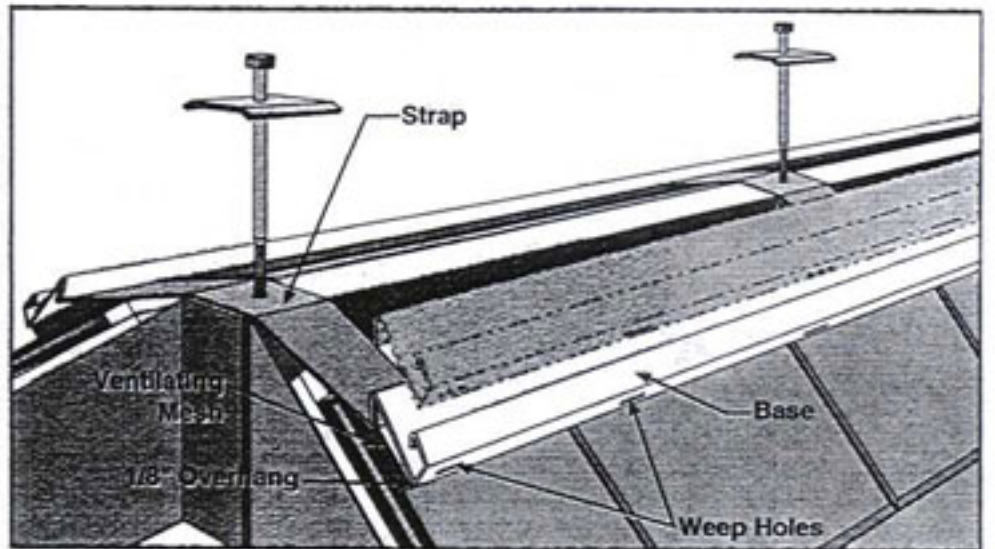
- b. Apply mesh to both sides of ridge/hip UNDER straps.
- c. Position mesh such that its lower edge is 1-1/2" down-roof from strap's lowest edge.
- d. Use aluminum or stainless fasteners—not copper. Do not allow vent fasteners to penetrate slates.



STEP 5—Install Base

Note: Remove vinyl masking prior to installation.

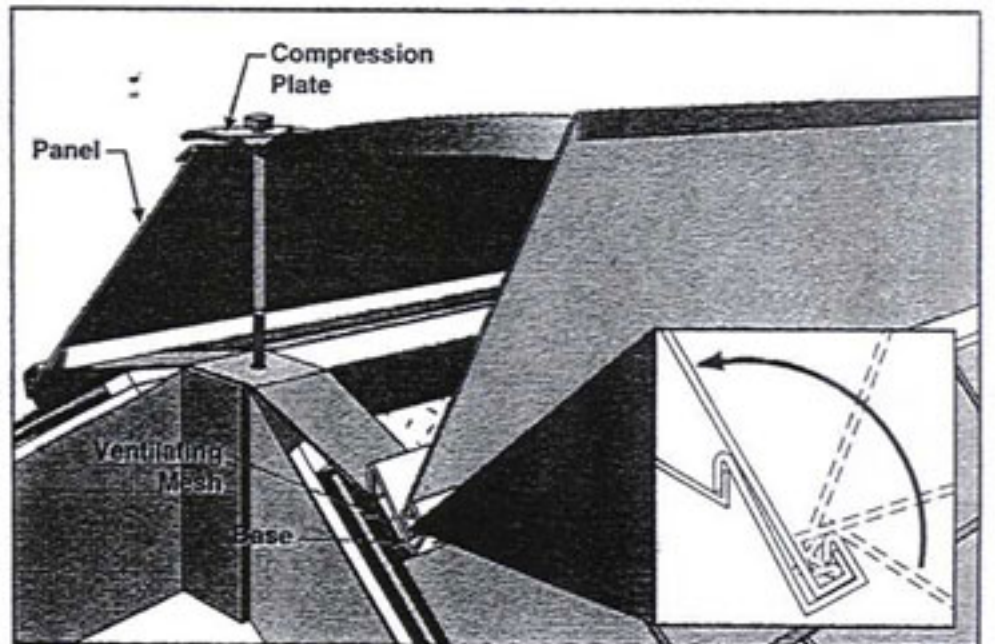
- a. Hang base on straps.
- b. Make sure that base overhangs mesh by not more than 1/8".

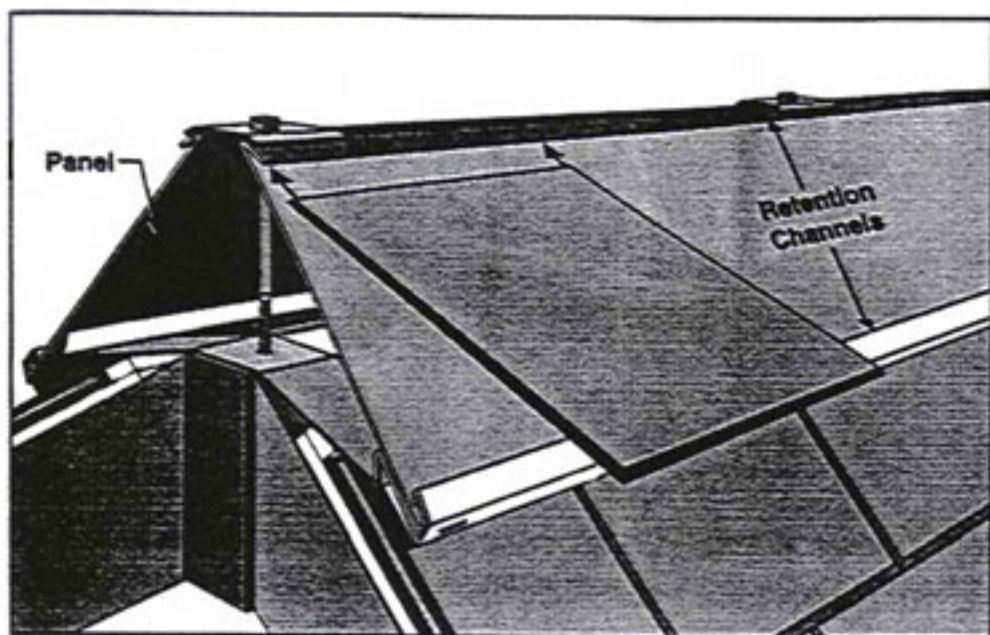


STEP 6—Install Panels

Note: Remove vinyl masking prior to installation of panels.

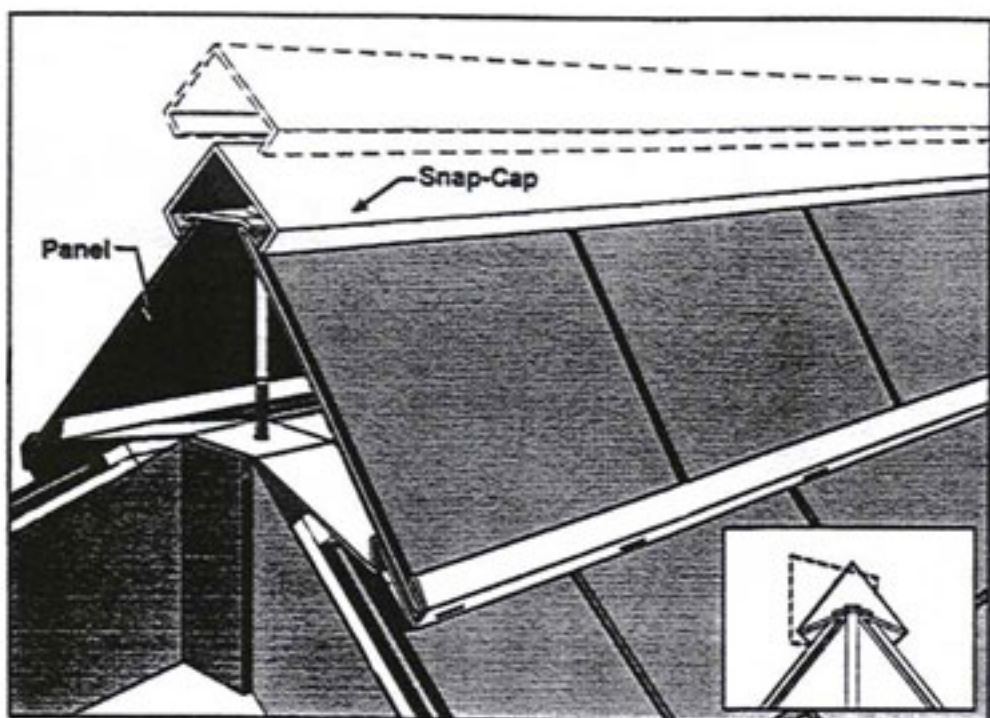
- a. Insert foot of panel into base and rotate to create a coupling. Allow upper edge of panel to rest against screw(s).
- b. Slide compression plates up so they rest atop the panel's upper edge.
- c. Install opposite panel, lifting the plates where necessary to permit the panel's upper edge to rest against the screw(s) as shown.
- d. Tighten—but do NOT over-tighten—screws. The base of the unit should be snug against the mesh (deck), just tight enough to eliminate shifting or rattling.





STEP 7—Install Slates

- a. Insert head of 12" slate into upper edge of panel.
- b. Drop foot of slate behind base retention channel.



STEP 8—Install Snap-Cap

Note: Remove vinyl masking prior to installation of cap.

- a. Engage one edge of Snap-Cap under the upper Retention Channel of a panel.
- b. Rotate and snap into place.