

Gauge: _____ Texture: _____

Finish: _____

Color: _____

V = 4" Face _____

5 1/2" Face _____

7" Face _____

8 1/2" Face _____

Gravel Stop x 12'-0" (_____ lf)

Outside Meters _____

Inside Meters _____

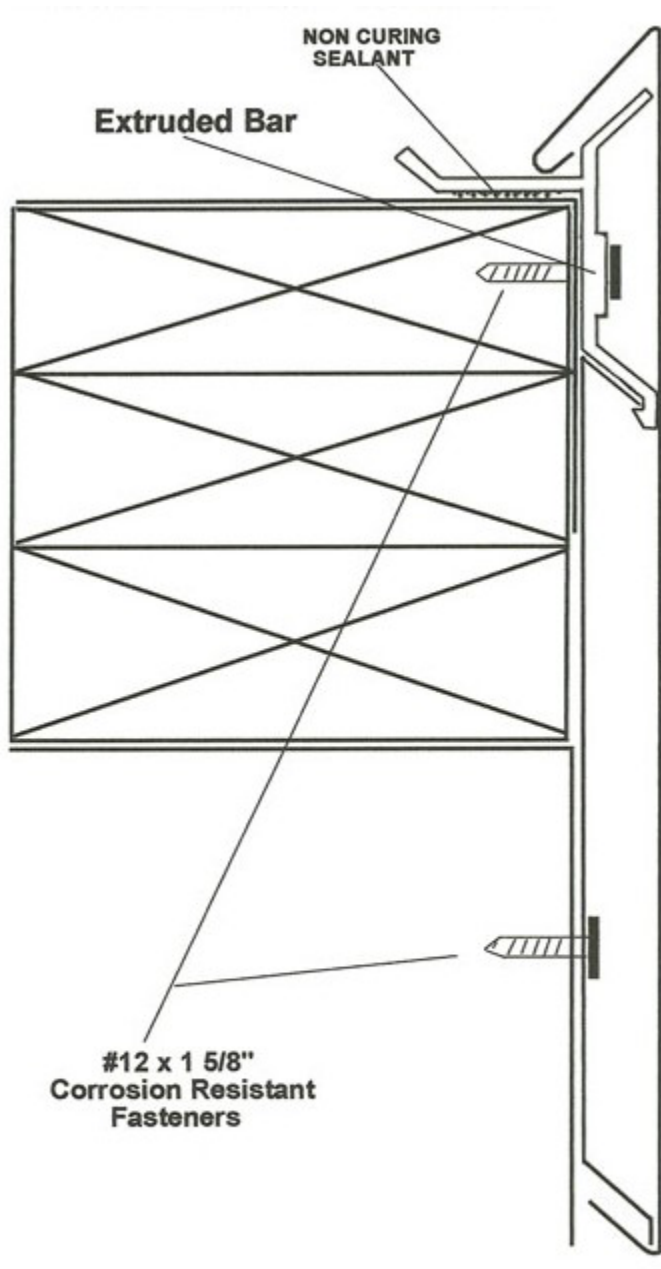


GA SERIES GRAVEL STOP

1947 Quincy Court
Glendale Heights, IL 60139
Phone: (847) 806-4540
Fax: (847) 806-4541

Notes:

GA



Metal .050 Kynar

V = Face _____
Lineal Feet _____
12'-0" Parts _____
Outside Miters _____
Inside Miters _____

V

**#12 x 1 5/8"
 Corrosion Resistant
 Fasteners**



1947 Quincy Court
 Glendale Heights, IL 60139
 Phone: (847) 806-4540
 Fax: (847) 806-4541

**EXTENDED FASCIA
 GA SERIES GRAVEL STOP**

Notes:

EF