

_____ Number of Pcs (12'-0")
_____ Finish (Kyanr or Other)
_____ Color



1947 Quincy Court
Glendale Heights, IL 60139
Phone: (847) 806-4540
Fax: (847) 806-4541

R-300 MOLDING SYSTEM

HORIZONTAL / VERTICAL

HV-300



_____ Number of Pcs (12'-0")
_____ Finish (Kynar or Other)
_____ Color

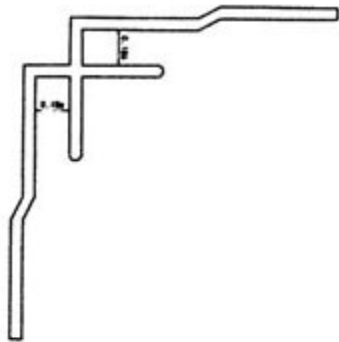


1947 Quincy Court
Glendale Heights, IL 60139
Phone: (847) 806-4540
Fax: (847) 806-4541

R-300 MOLDING SYSTEM

HORIZONTAL / VERTICAL REVEAL

HVR-300



_____ Number of Pcs (12'-0")
_____ Finish (Kynar or Other)
_____ Color

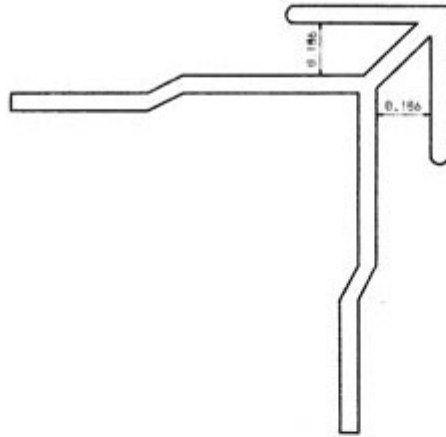


1947 Quincy Court
Glendale Heights, IL 60139
Phone: (847) 806-4540
Fax: (847) 806-4541

R-300 MOLDING SYSTEM

INSIDE CORNER

ISC-300



_____ Number of Pcs (12'-0")
_____ Finish (Kynar or Other)
_____ Color

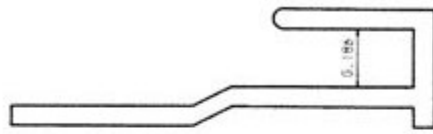


1947 Quincy Court
Glendale Heights, IL 60139
Phone: (847) 806-4540
Fax: (847) 806-4541

R-300 MOLDING SYSTEM

OUTSIDE CORNER

OSC-300



_____ Number of Pcs (12'-0")
_____ Finish (Kynar or Other)
_____ Color

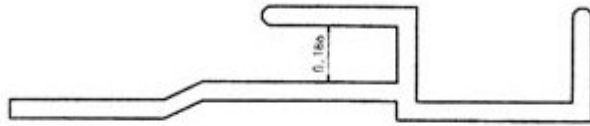


1947 Quincy Court
Glendale Heights, IL 60139
Phone: (847) 806-4540
Fax: (847) 806-4541

R-300 MOLDING SYSTEM

PERIMETER TRIM

PR-300



_____ Number of Pcs (12'-0")
_____ Finish (Kynar or Other)
_____ Color

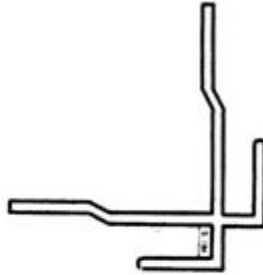


1947 Quincy Court
Glendale Heights, IL 60139
Phone: (847) 806-4540
Fax: (847) 806-4541

R-300 MOLDING SYSTEM

PERIMETER REVEAL

PRR-300



_____ Number of Pcs (12'-0")
_____ Finish (Kynar or Other)
_____ Color



1947 Quincy Court
Glendale Heights, IL 60139
Phone: (847) 806-4540
Fax: (847) 806-4541

R-300 MOLDING SYSTEM

REVEAL OUTSIDE CORNER

ROC-300