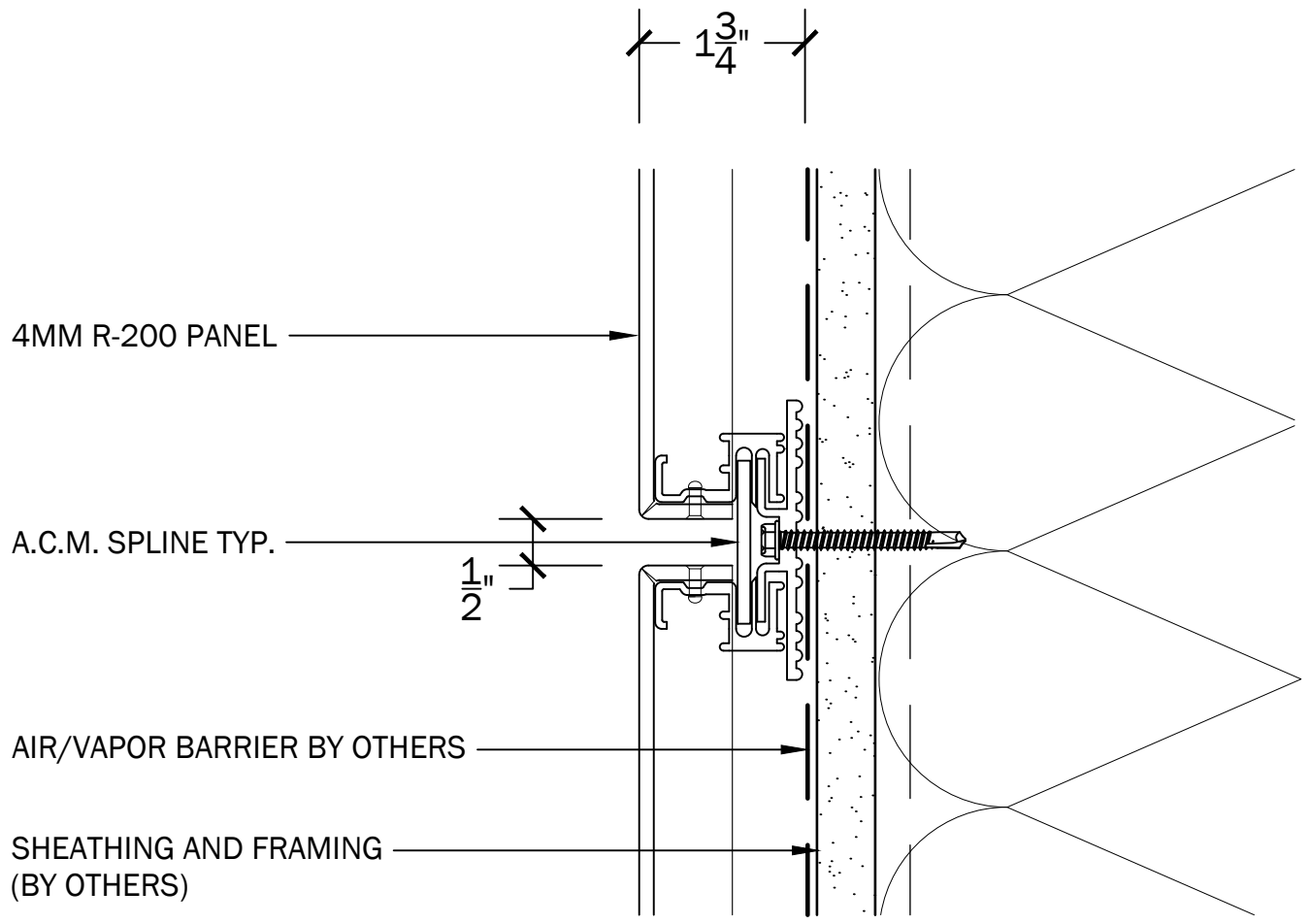


1947 Quincy Court  
Glendale Heights, Illinois 60139  
877-285-3975  
castlemetal@msn.com

## R-200 RAINSCREEN SYSTEM STANDARD DETAILS



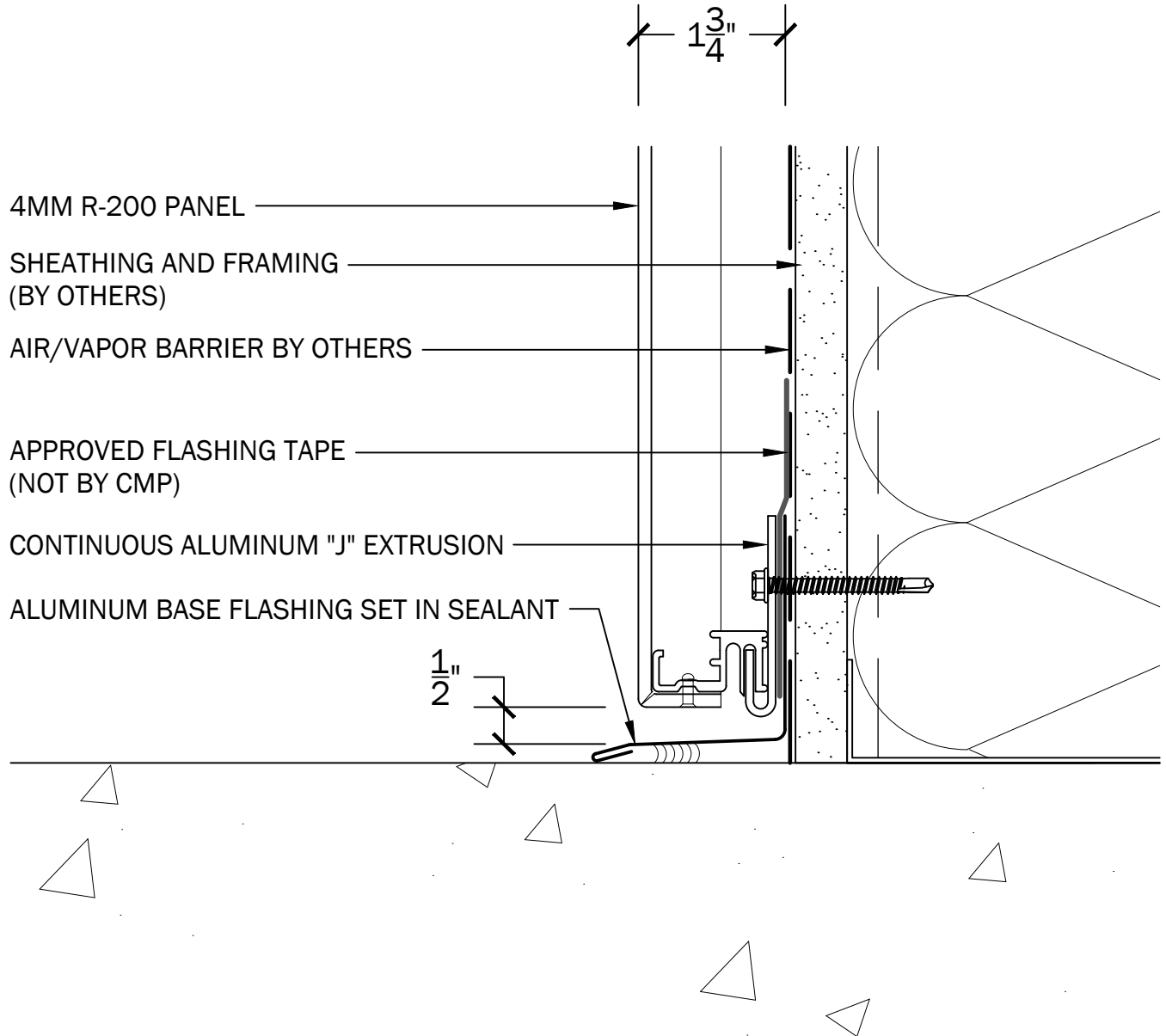
1947 Quincy Court  
 Glendale Heights, Illinois 60139  
 877-285-3975  
 castlemetal@msn.com

R-200 RAINSCREEN SYSTEM

TYPICAL JOINT DETAIL

DETAIL

RS-1



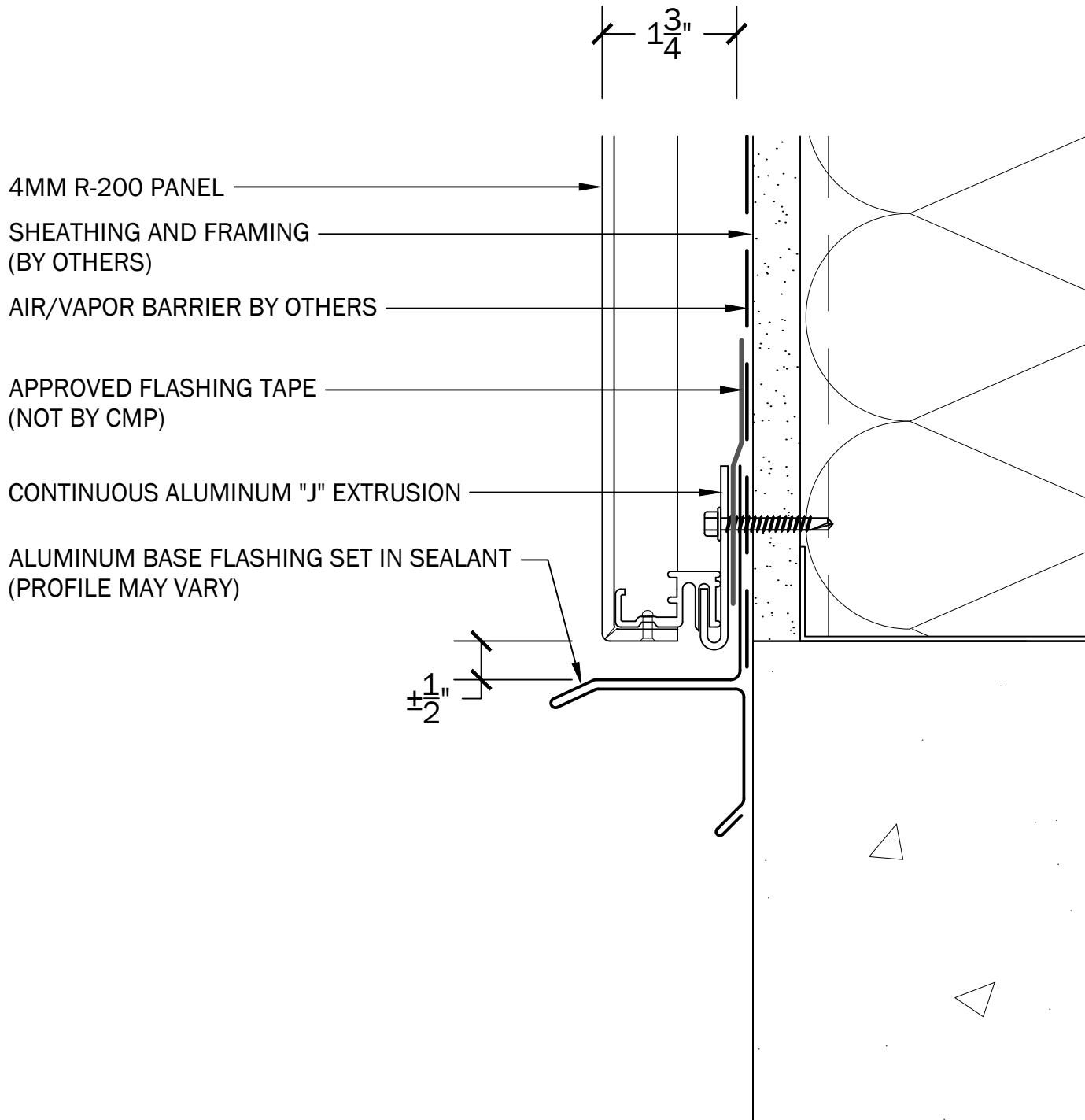
1947 Quincy Court  
 Glendale Heights, Illinois 60139  
 877-285-3975  
 castlemetal@msn.com

R-200 RAINSCREEN SYSTEM

BASE DETAIL AT SLAB

DETAIL

RS-2



1947 Quincy Court  
 Glendale Heights, Illinois 60139  
 877-285-3975  
 castlemetal@msn.com

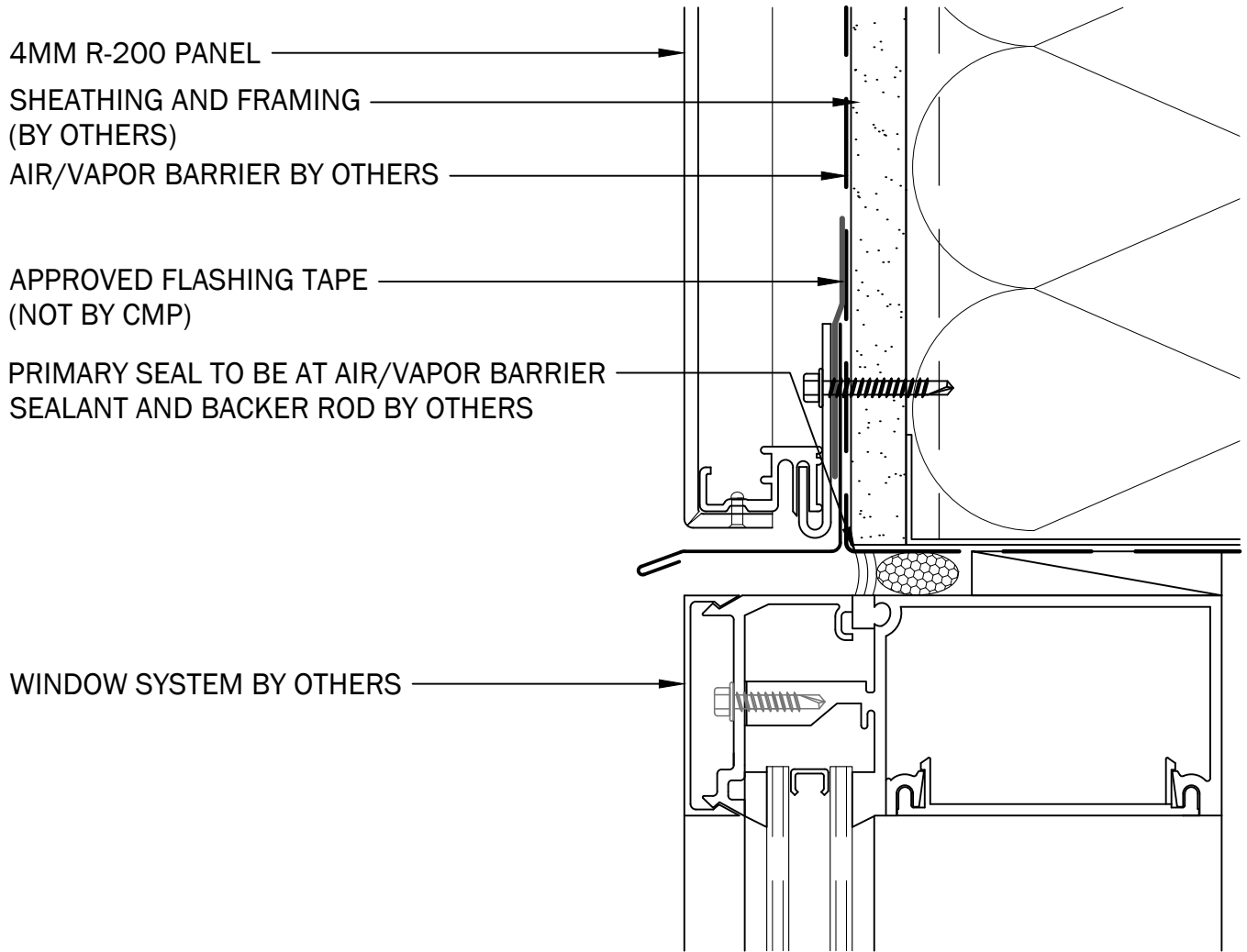
## R-200 RAINSCREEN SYSTEM

BASE DETAIL ABOVE SLAB

DETAIL

RS-3

NOTE: AIR/VAPOR BARRIER SYSTEMS USED IN CONJUNCTION WITH RAINSCREEN PANEL SYSTEMS ARE PROJECT SPECIFIC. CONTRACTOR OR G.C. TO COORDINATE ALL INTERFACE CONDITIONS WITH OTHER TRADES AS REQUIRED. CONFIRM COMPATIBILITY OF ALL RELATED COMPONENTS ALONG WITH APPROVED INSTALLATION METHODS.



1947 Quincy Court  
 Glendale Heights, Illinois 60139  
 877-285-3975  
 castlemetal@msn.com

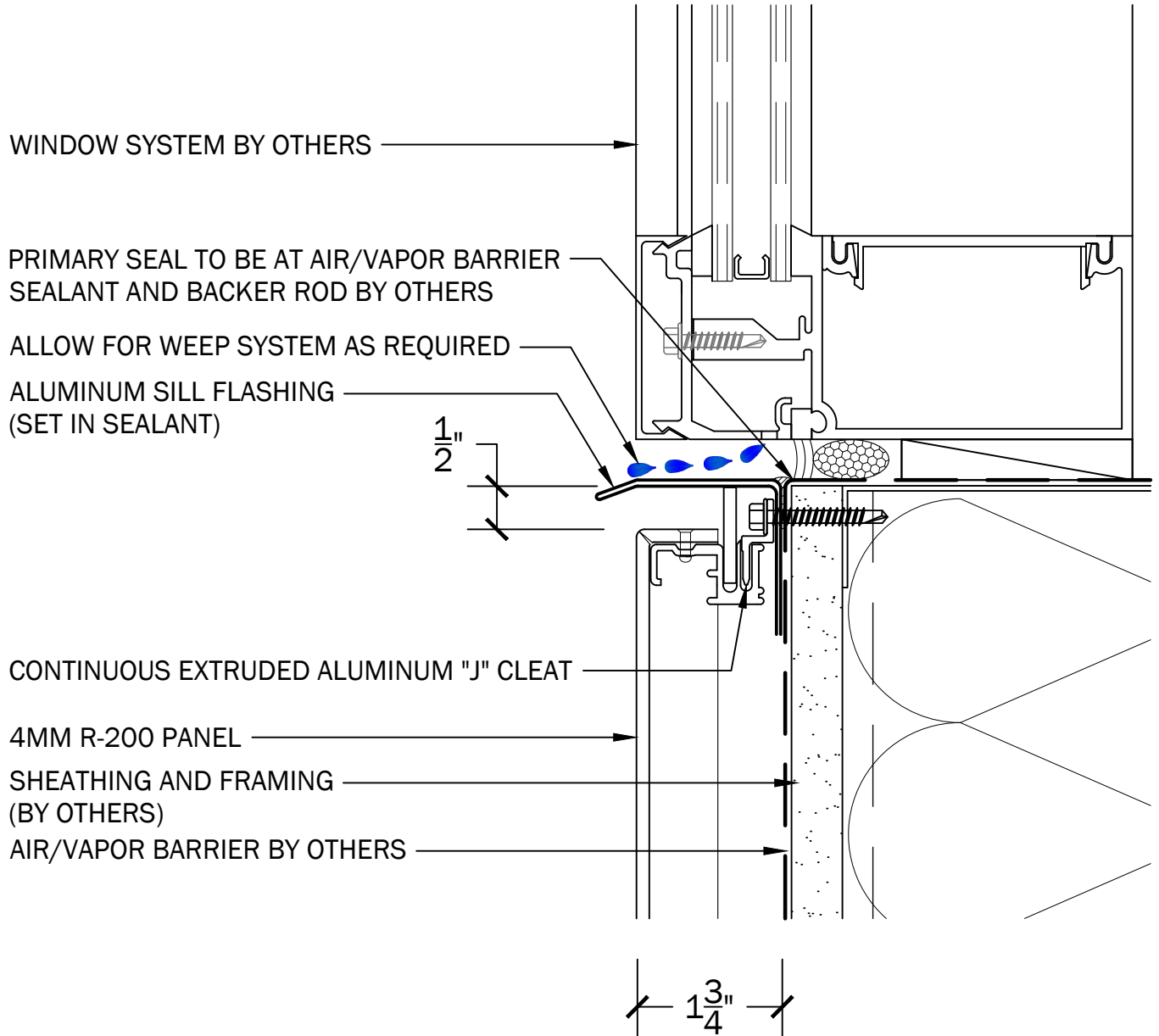
## R-200 RAINSCREEN SYSTEM

### WINDOW HEAD DETAIL

DETAIL

RS-4

NOTE: AIR/VAPOR BARRIER SYSTEMS USED IN CONJUNCTION WITH RAINSCREEN PANEL SYSTEMS ARE PROJECT SPECIFIC. CONTRACTOR OR G.C. TO COORDINATE ALL INTERFACE CONDITIONS WITH OTHER TRADES AS REQUIRED. CONFIRM COMPATIBILITY OF ALL RELATED COMPONENTS ALONG WITH APPROVED INSTALLATION METHODS.



1947 Quincy Court  
 Glendale Heights, Illinois 60139  
 877-285-3975  
 castlemetal@msn.com

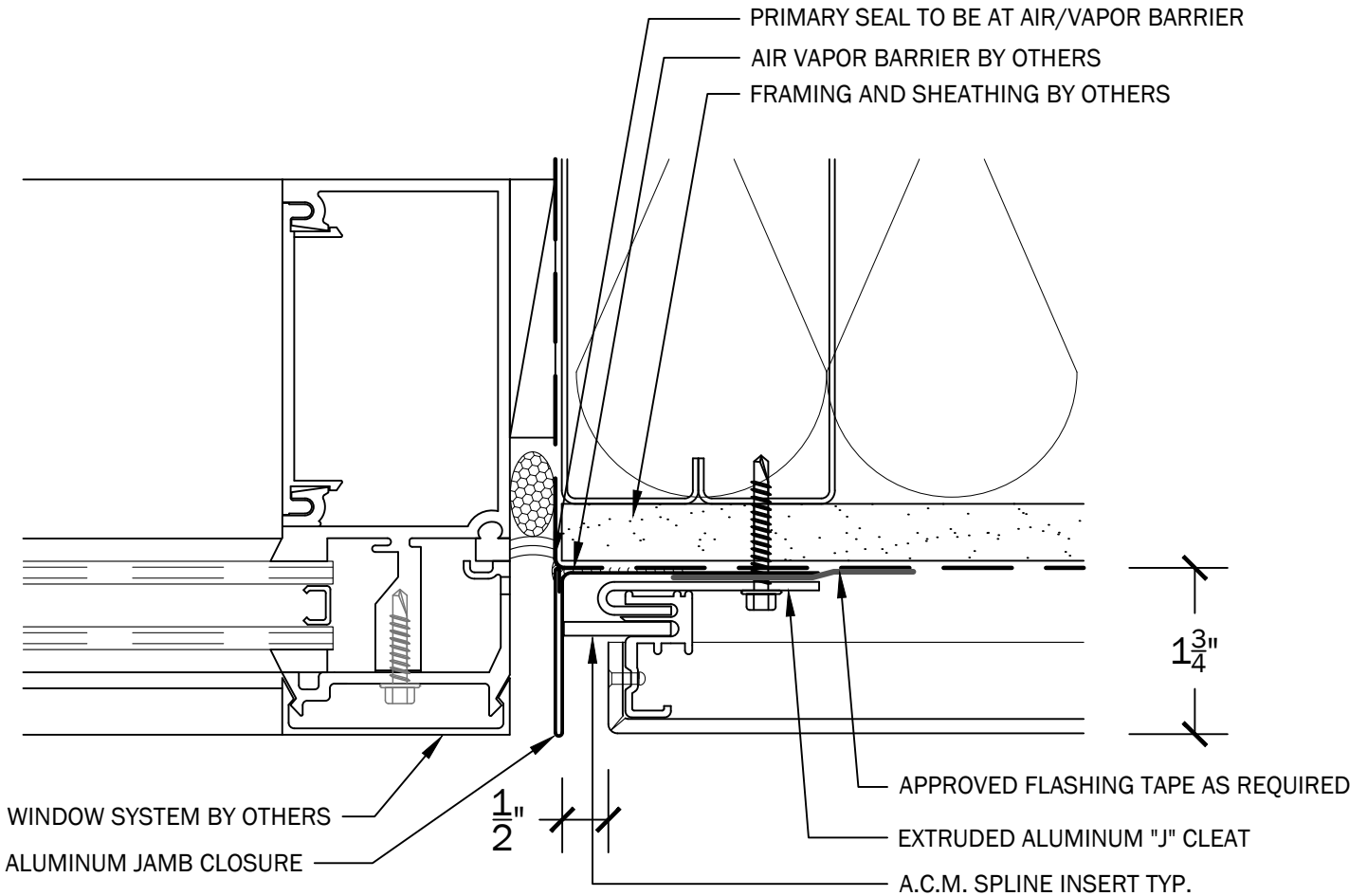
## R-200 RAINSCREEN SYSTEM

WINDOW SILL DETAIL

DETAIL

RS-5

NOTE: AIR/VAPOR BARRIER SYSTEMS USED IN CONJUNCTION WITH RAINSCREEN PANEL SYSTEMS ARE PROJECT SPECIFIC. CONTRACTOR OR G.C. TO COORDINATE ALL INTERFACE CONDITIONS WITH OTHER TRADES AS REQUIRED. CONFIRM COMPATIBILITY OF ALL RELATED COMPONENTS ALONG WITH APPROVED INSTALLATION METHODS.



1947 Quincy Court  
Glendale Heights, Illinois 60139  
877-285-3975  
castlemetal@msn.com

## R-200 RAINSCREEN SYSTEM

### WINDOW JAMB DETAIL

DETAIL

RS-6

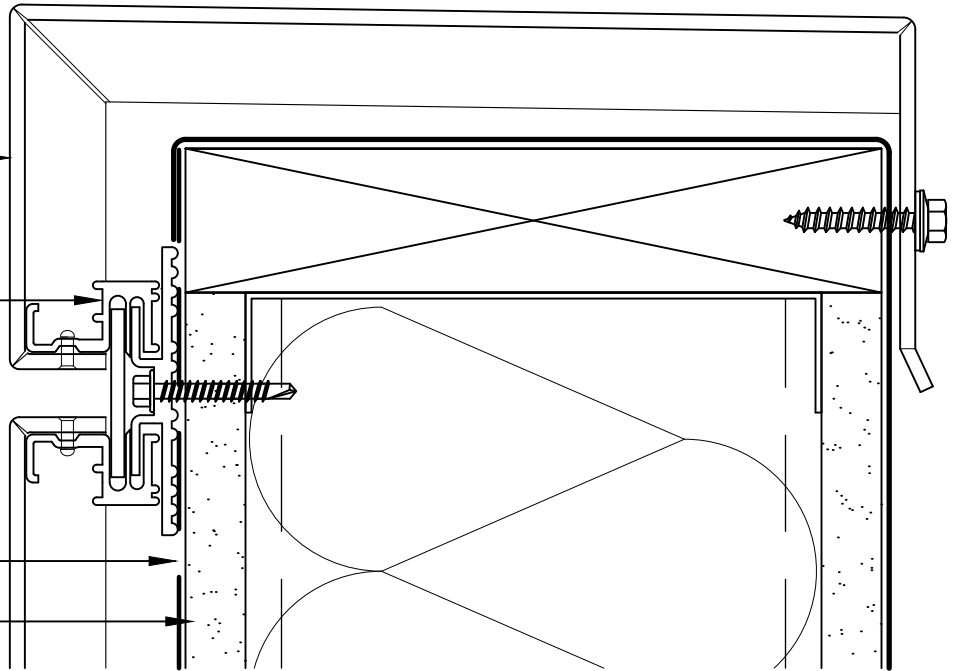
4MM R-200 COPING

EXTRUDED ALUMINUM  
JOINT ASSEMBLY

$\frac{1}{2}$ "

AIR/VAPOR BARRIER BY OTHERS

SHEATHING AND FRAMING  
(BY OTHERS)



1947 Quincy Court  
Glendale Heights, Illinois 60139  
877-285-3975  
castlemetal@msn.com

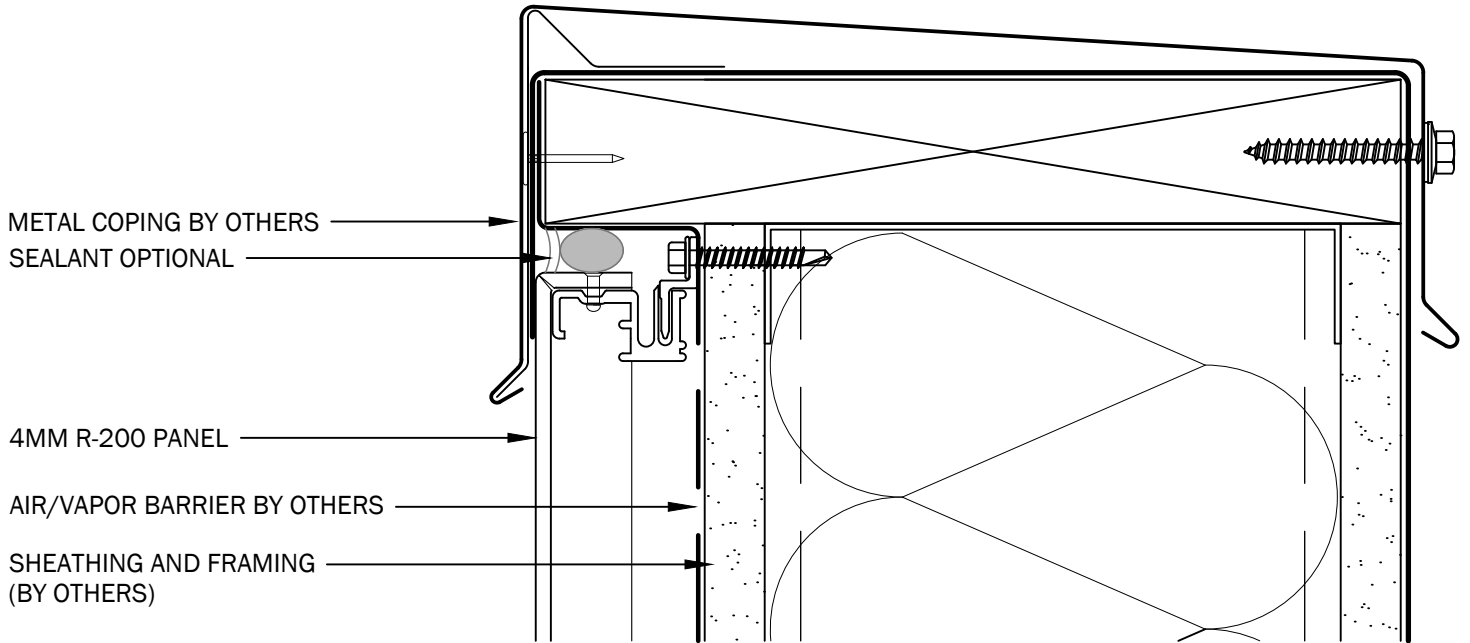
## R-200 RAINSCREEN SYSTEM

### PARAPET COPING DETAIL

DETAIL

RS-7





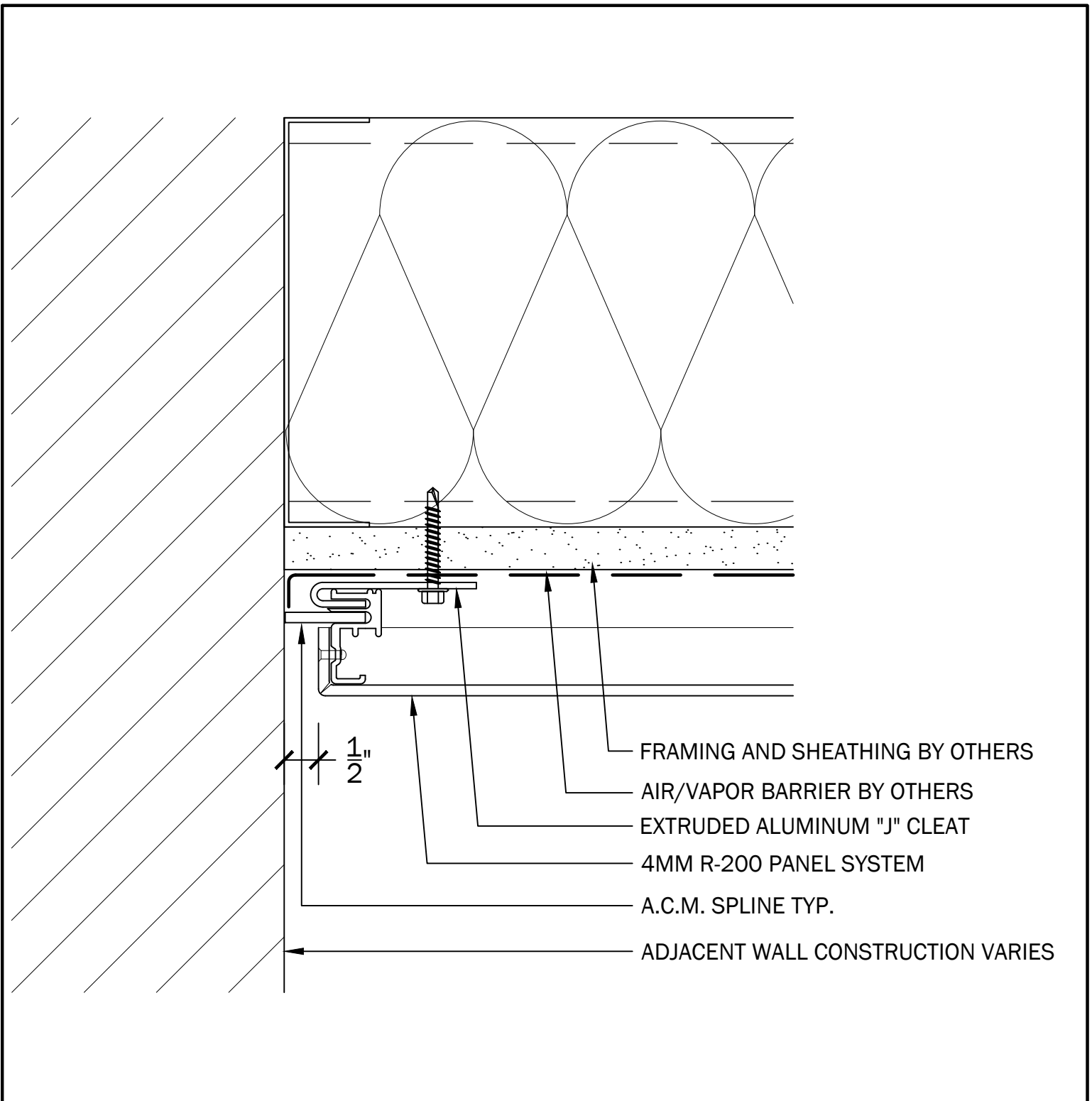
1947 Quincy Court  
 Glendale Heights, Illinois 60139  
 877-285-3975  
 castlemetal@msn.com

## R-200 RAINSCREEN SYSTEM

SHEET METAL  
 COPING DETAIL

DETAIL

RS-7.1



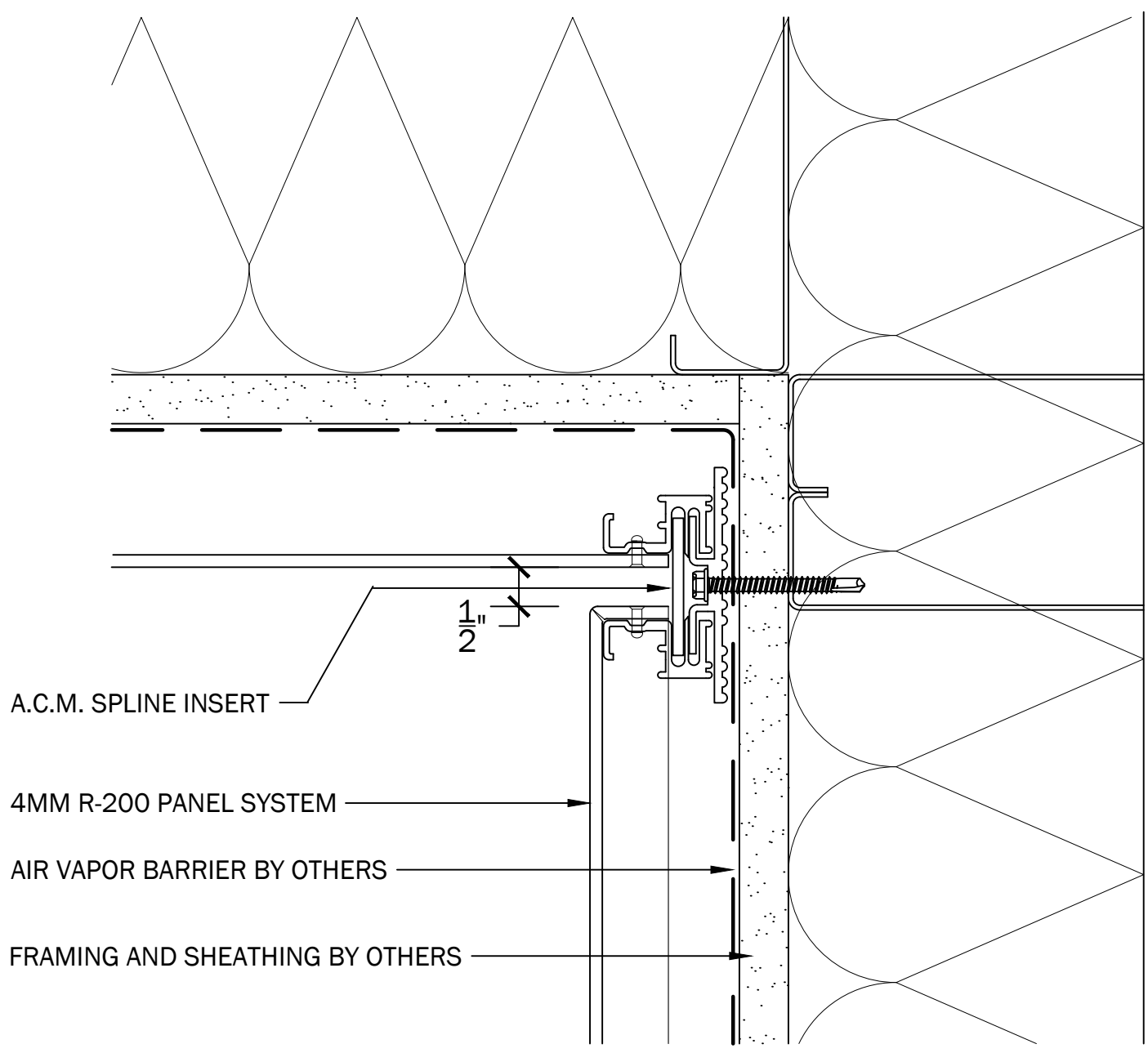
1947 Quincy Court  
 Glendale Heights, Illinois 60139  
 877-285-3975  
 castlemetal@msn.com

## R-200 RAINSCREEN SYSTEM

END-WALL DETAIL

DETAIL

RS-8



A.C.M. SPLINE INSERT

4MM R-200 PANEL SYSTEM

AIR VAPOR BARRIER BY OTHERS

FRAMING AND SHEATHING BY OTHERS

2 1/2"



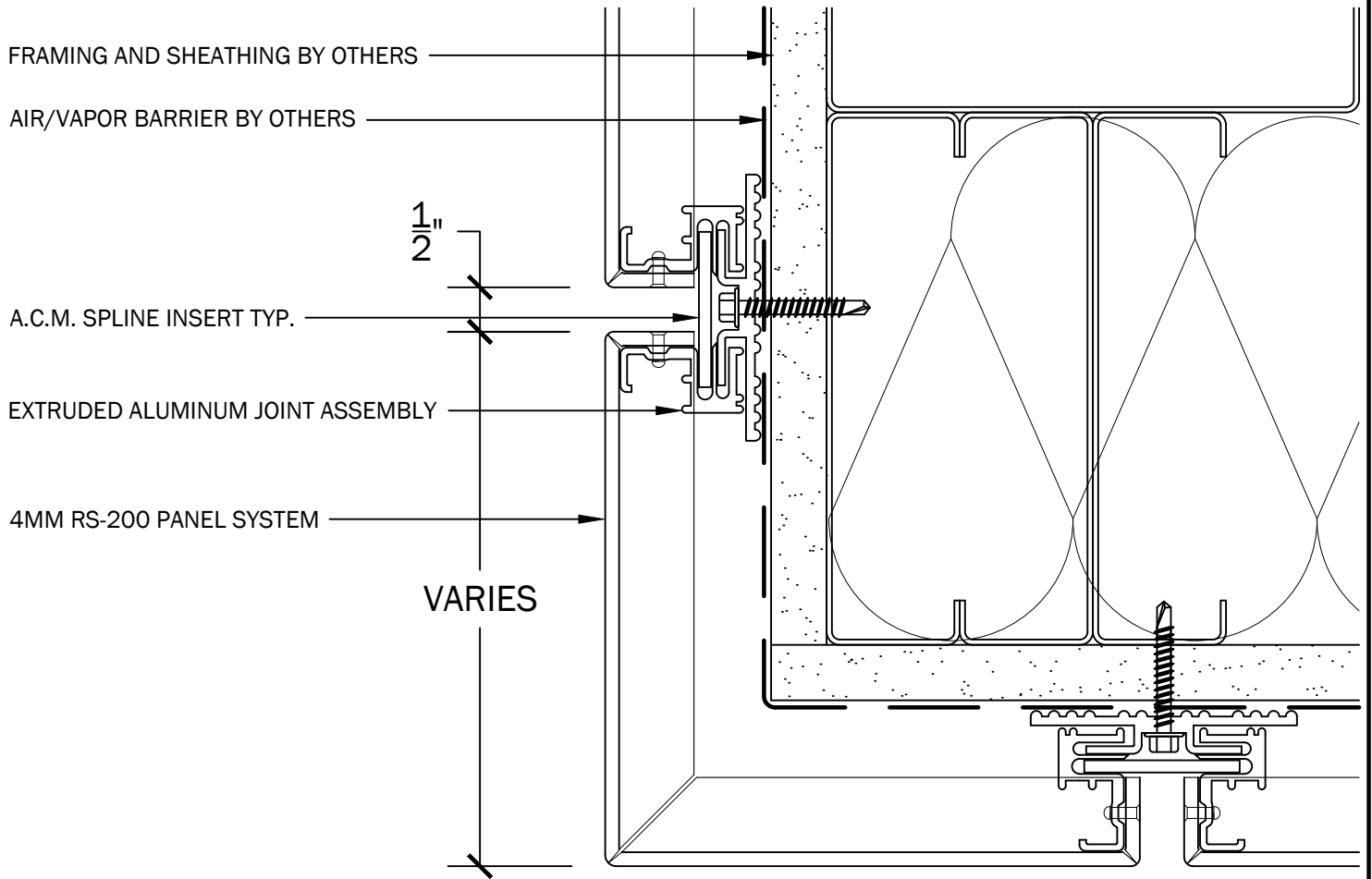
1947 Quincy Court  
 Glendale Heights, Illinois 60139  
 877-285-3975  
 castlemetal@msn.com

R-200 RAINSCREEN SYSTEM

INSIDE CORNER DETAIL

DETAIL

RS-9



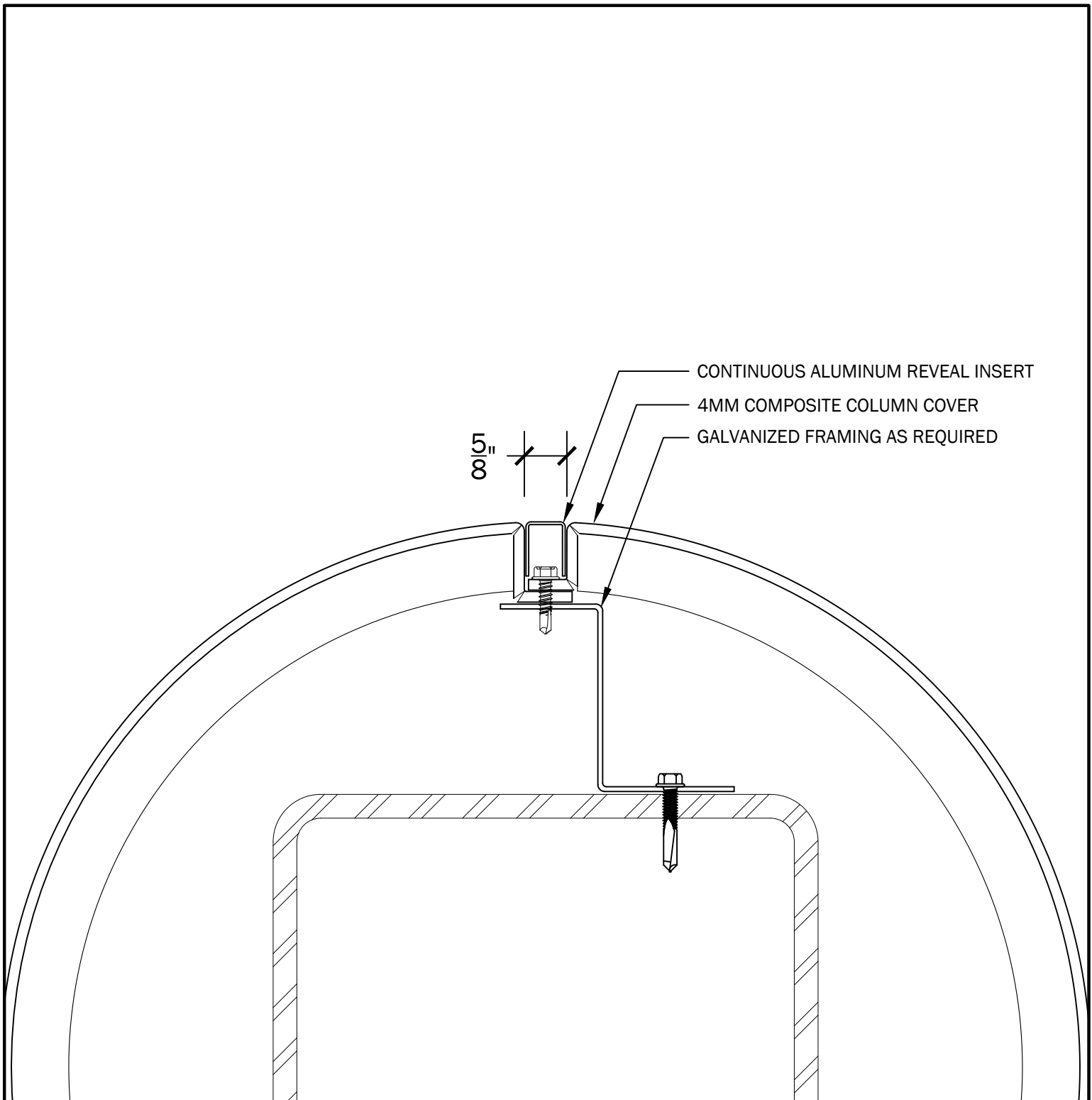
1947 Quincy Court  
 Glendale Heights, Illinois 60139  
 877-285-3975  
 castlemetal@msn.com

## R-200 RAINSCREEN SYSTEM

OUTSIDE CORNER DETAIL

DETAIL

RS-10



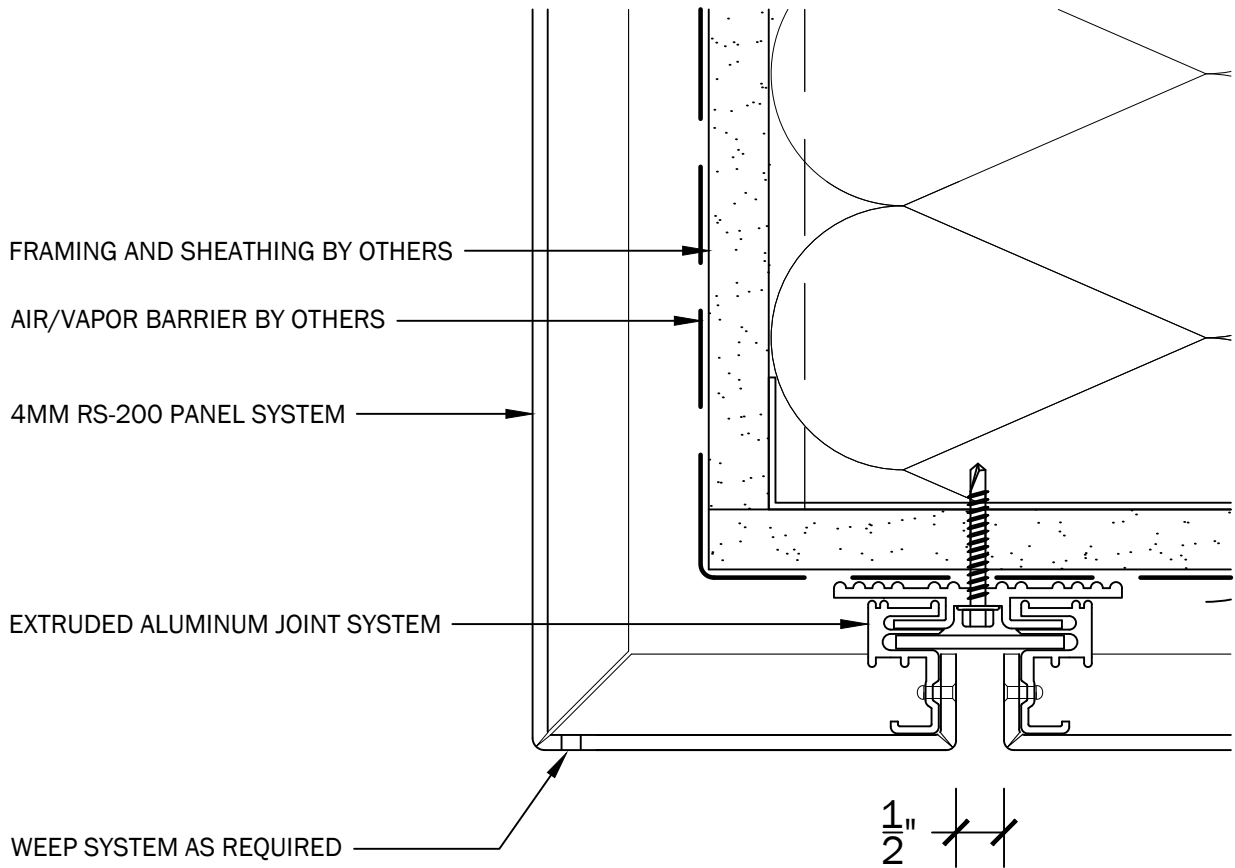
1947 Quincy Court  
 Glendale Heights, Illinois 60139  
 877-285-3975  
 castlemetal@msn.com

## R-200 RAINSCREEN SYSTEM

### COLUMN COVER DETAIL

DETAIL

**RS-11**



1947 Quincy Court  
 Glendale Heights, Illinois 60139  
 877-285-3975  
 castlemetal@msn.com

## R-200 RAINSCREEN SYSTEM

### SOFFIT RETURN DETAIL

DETAIL

**RS-12**